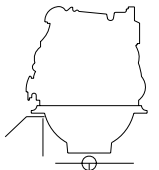
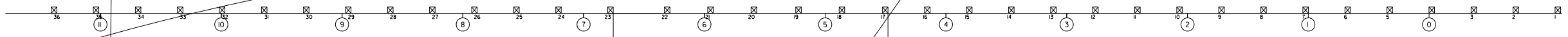
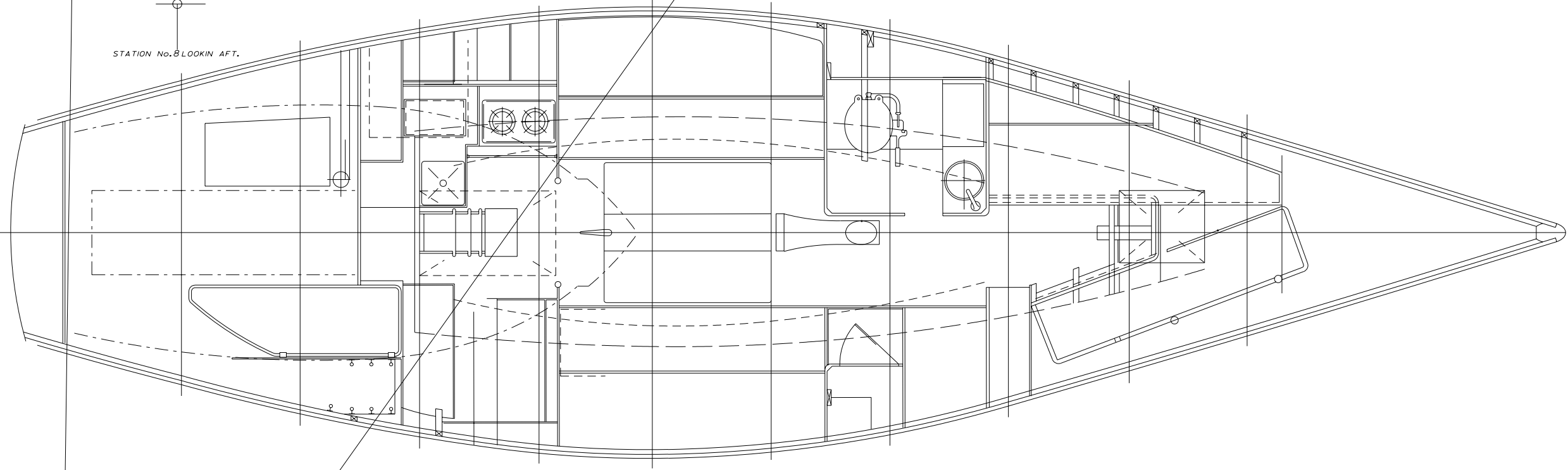
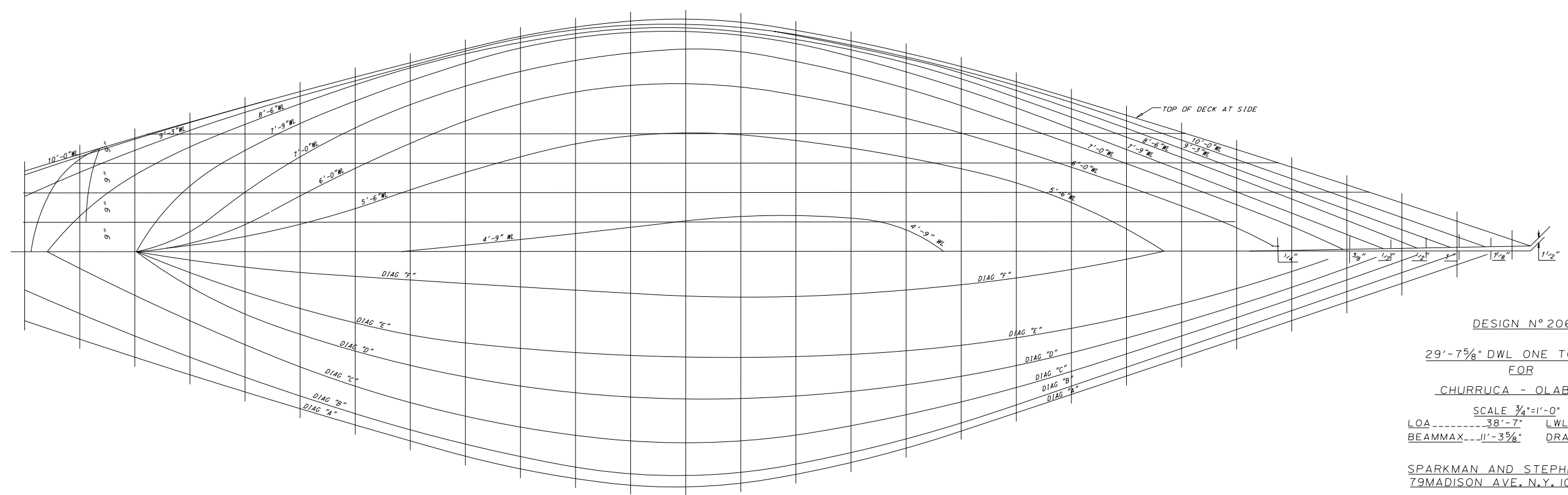
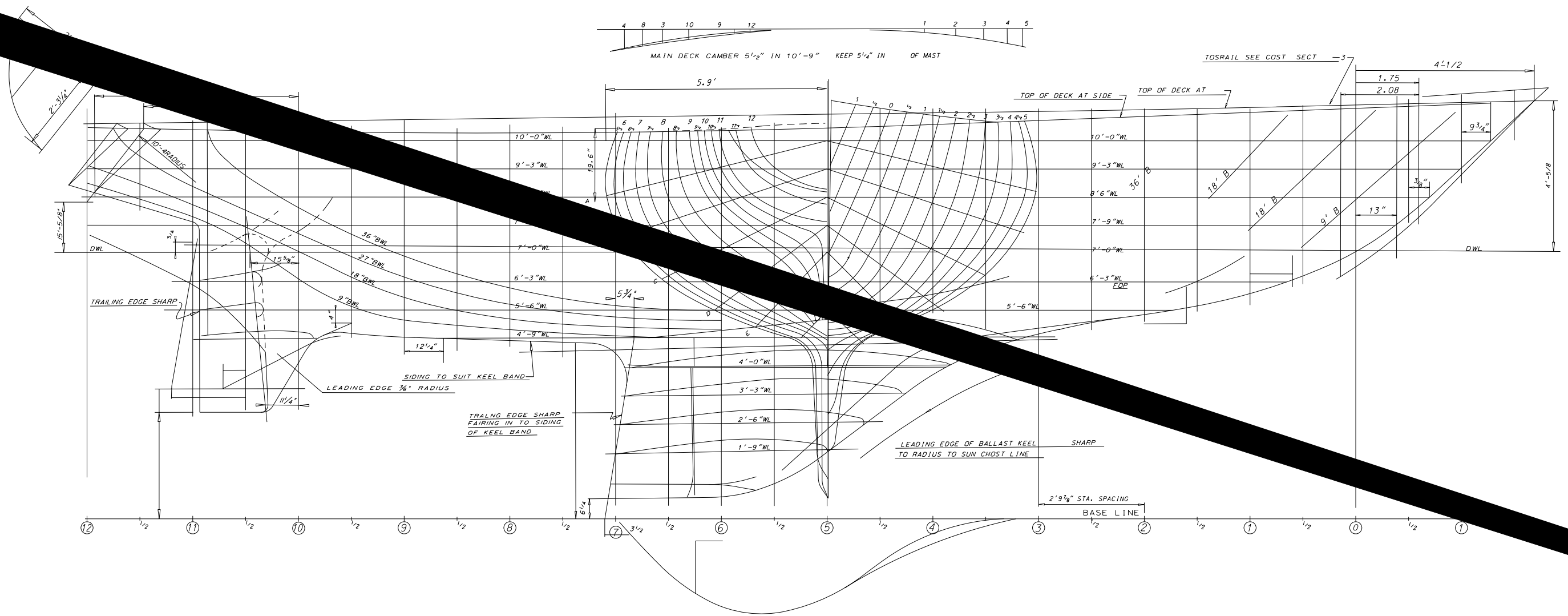


FROM FRAME No 1 TO FR. 22 MARK INDICATE  
 AFT SIDE OF FR. FROM FR. 23 TO FR. 36  
 MARK INDICATE FWD SIDE OF FRAME  
 SPACING 12" EXCEPT AS NOTED



STATION No. 8 LOOKIN AFT.



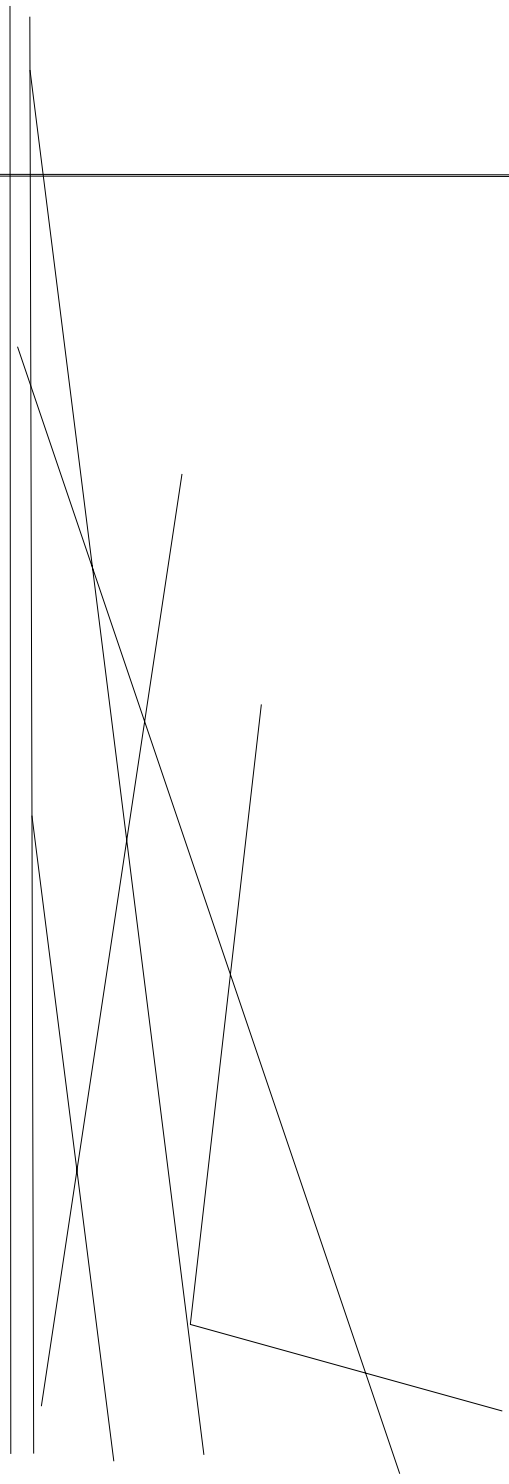


DESIGN N° 2062-C3  
 29'-7 5/8" DWL ONE TON CUP  
 FOR  
 CHURRUCA - OLABARRI  
 SCALE 3/4" = 1'-0"  
 LOA ----- 38'-7" LWL 29'-7 5/8"  
 BEAMMAX --- 11'-3 5/8" DRAFT --- 6'-6"  
 SPARKMAN AND STEPHENS INC.  
 79 MADISON AVE. N.Y. 10016 NY

DESIGN N° 2062-C3  
**MACHICHACO**  
 LOA 38'7" - LWL 29'7 5/8" - BEAMMAX 11'3 5/8" - DRAFT 6'6"  
**SPARKMAN AND STEPHENS INC.** JULY 1971

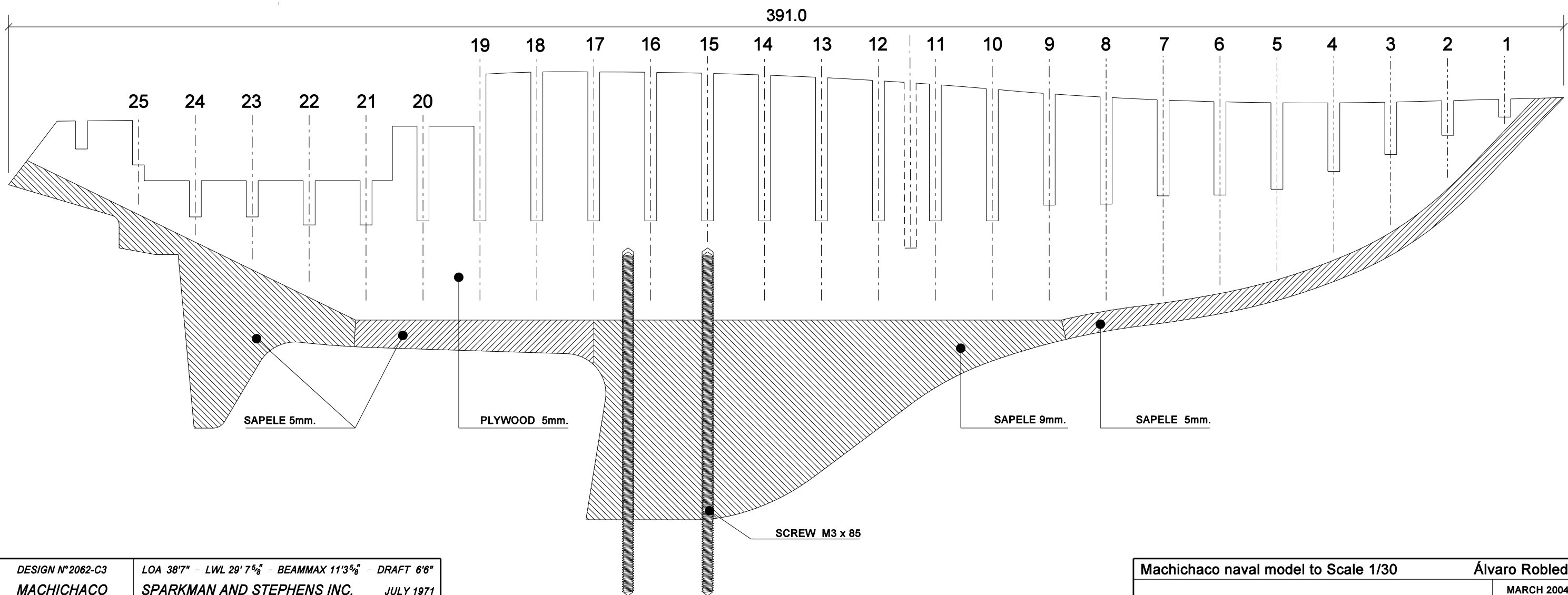
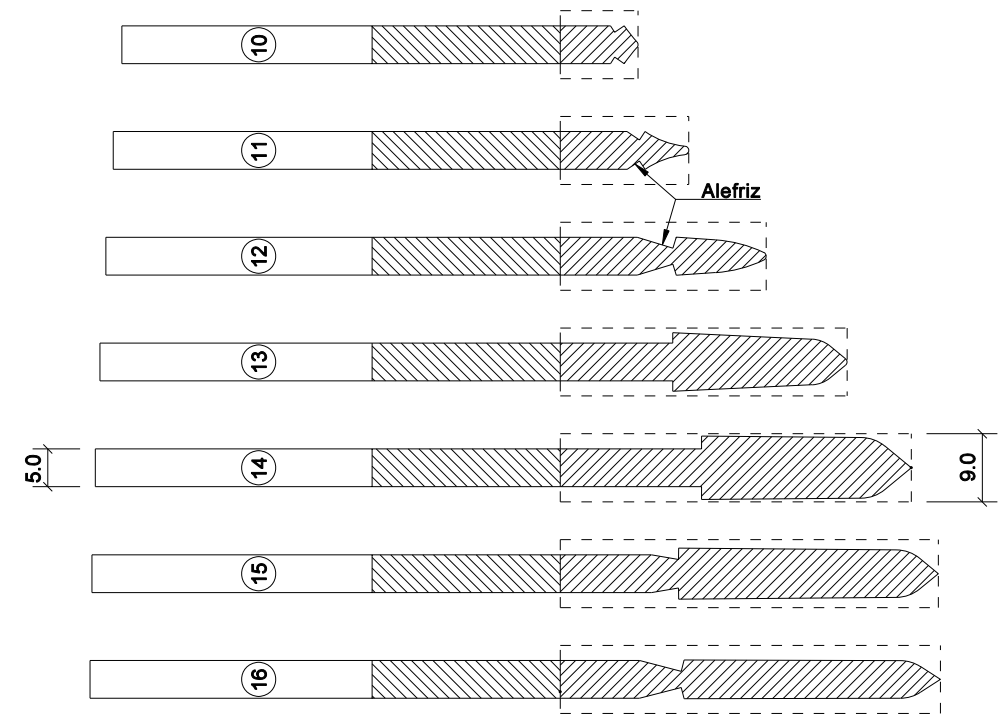
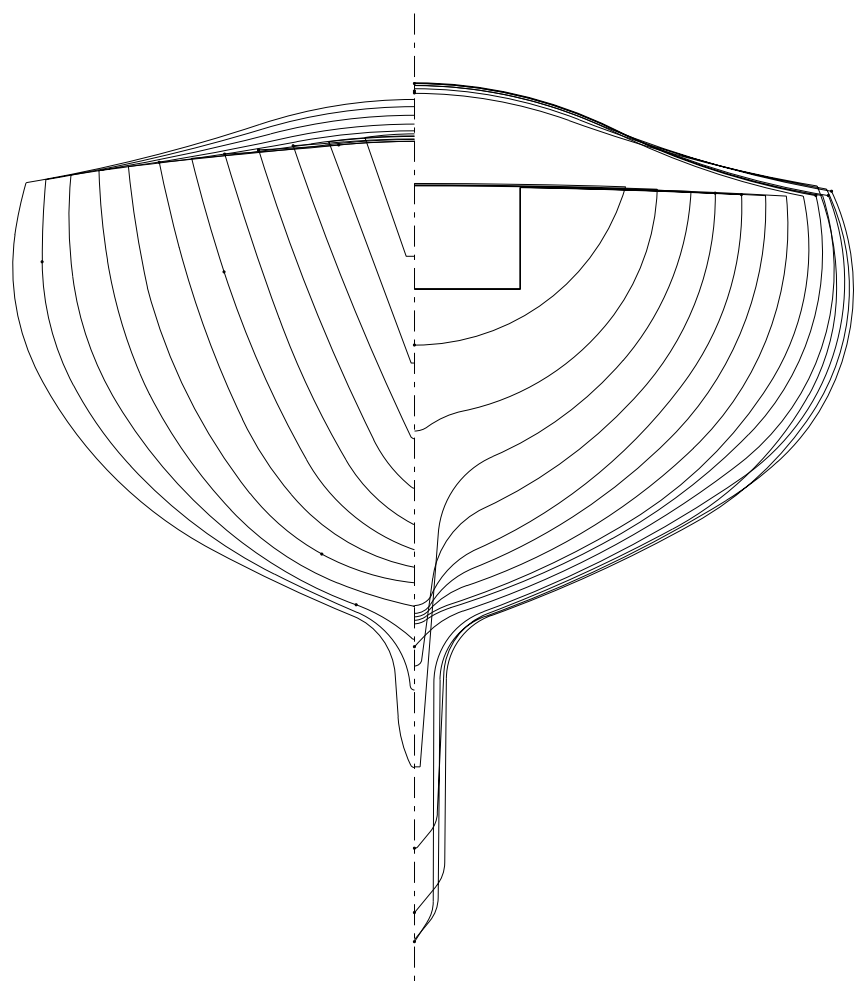
**Machichaco naval model to Scale 1/30** **Álvaro Robledo**  
 COMPACTNESS FACSIMIL OF THE ORIGINAL PLAN MARCH 2004  
 WATER LINES. Scale of the original plan 1/16 S 1/35 No.03

MAIN SAIL	5.8	SEE	SAIL	PLAN	ROLLER REEFING, CUNNINGHAM HOLE, FOOT ZIPPER
STORM TRY SAIL	7.0	11'-0"	16.4'	88	SHEETS, ROPE TACK PENNANT
10' STORM JIB	7.0	10.5'	24.1'		22' HEAD PENNANT, 2' TACK PENN.
15' JIB	7.0	15.5'	34.02'	238	14' HEAD PENNANT, STRETCHY LUFF
20' JIB	7.0	20.0'	41.28'	390	7' . . . . .
23' HEAVY GENOA	5.5	23.5'	46.4'		STRETCHY LUFF, CUNNINGHAM HOLE, TACKING CRINGLE
24' MEDIUM GENOA	4.7	24.58'	48.12'	563	STRETCHY LUFF, CUNNINGHAM HOLE, TACKING CRINGLE, (150% L.P.)
LIGHT GENOA	3.0	24.58'	48.12'	563	NO HANKS, TACKING CRINGLE, (150% L.P.)
DRIFTER/REACHER	2.2	26.75'	48.12'	563	NO HANKS, 150% L.P.
STORM SPINNAKER	1.5N	RULE	92%RULE		
REGULAR SPINNAKER	1.5N	10R	RULE	MAX.	
LIGHT SPINNAKER	0.75N	10R	RULE	MAX.	LIGHT CORNERS EDGES
FLOATER SPINNAKER	0.5N	10R	RULE	MAX.	
TALL CUT STAY SAIL	2.2	8.5'	46.54'		ADJ. LUFF, TACK PD



DWL

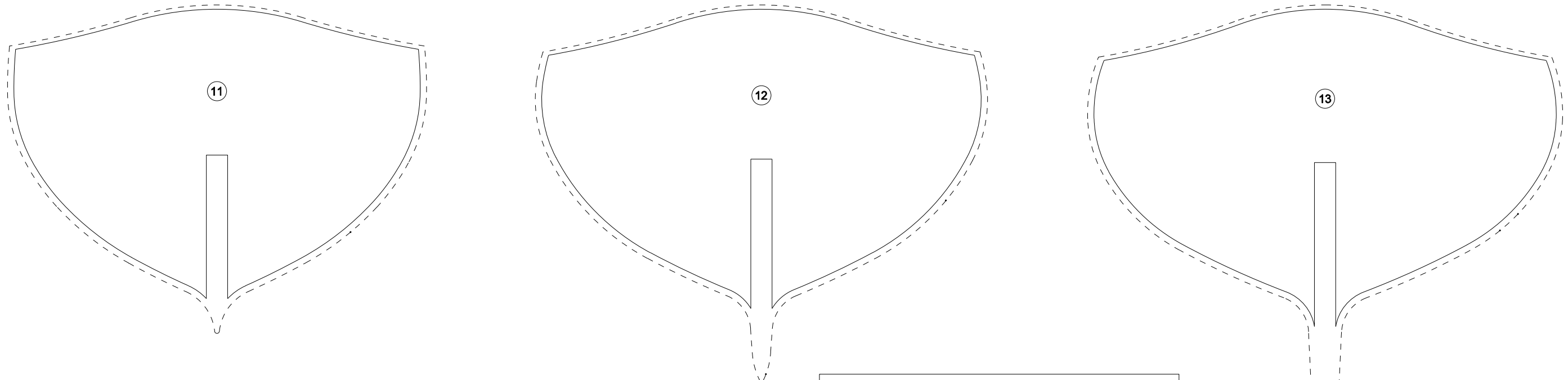
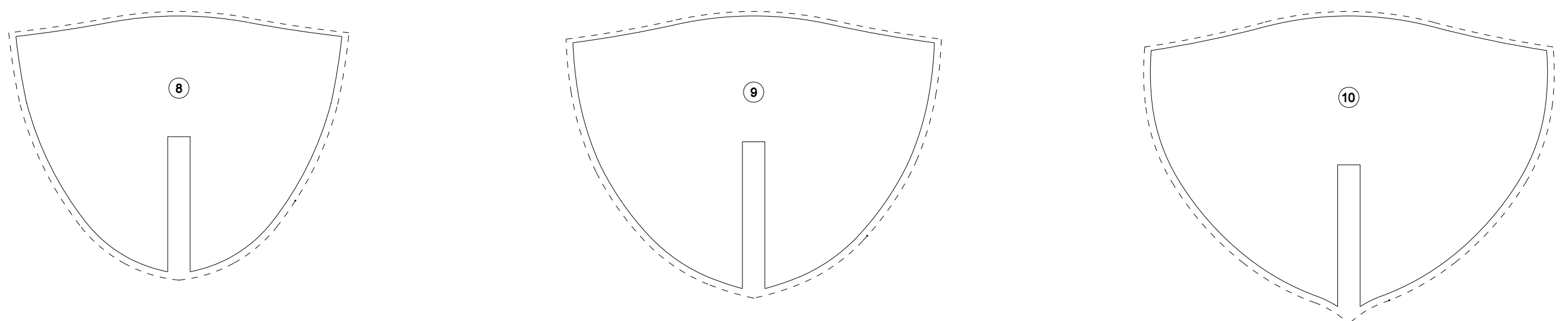
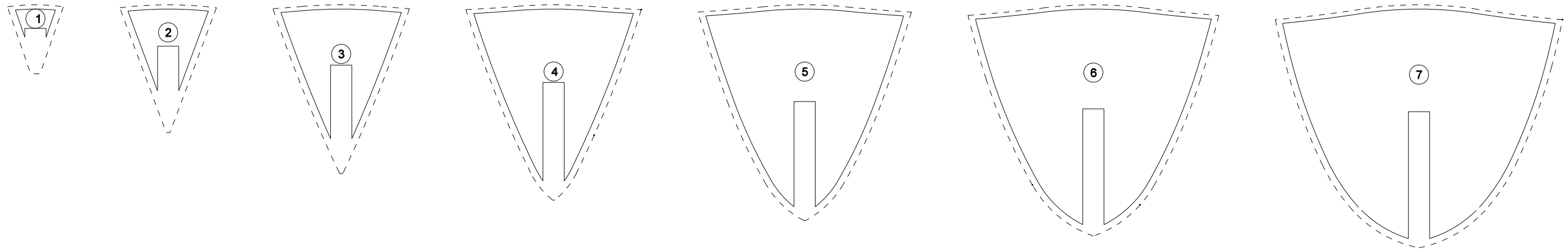




DESIGN N° 2062-C3  
**MACHICHACO**  
 29'-7<sup>5</sup>/<sub>8</sub>" LWL ONE TON CUP

LOA 38'7" - LWL 29' 7<sup>5</sup>/<sub>8</sub>" - BEAMMAX 11'3<sup>5</sup>/<sub>8</sub>" - DRAFT 6'6"  
**SPARKMAN AND STEPHENS INC.** JULY 1971  
 BUILT BY "ASTILLEROS CARABELA" BARCELONA 1972

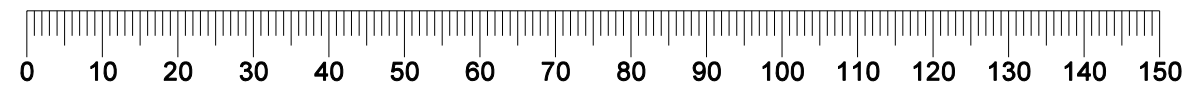
Machichaco naval model to Scale 1/30  
 Álvaro Robledo  
 CENTRE REST AND AFT KEEL EXTENSIONS  
 MARCH 2004  
 S 1/1 No.06



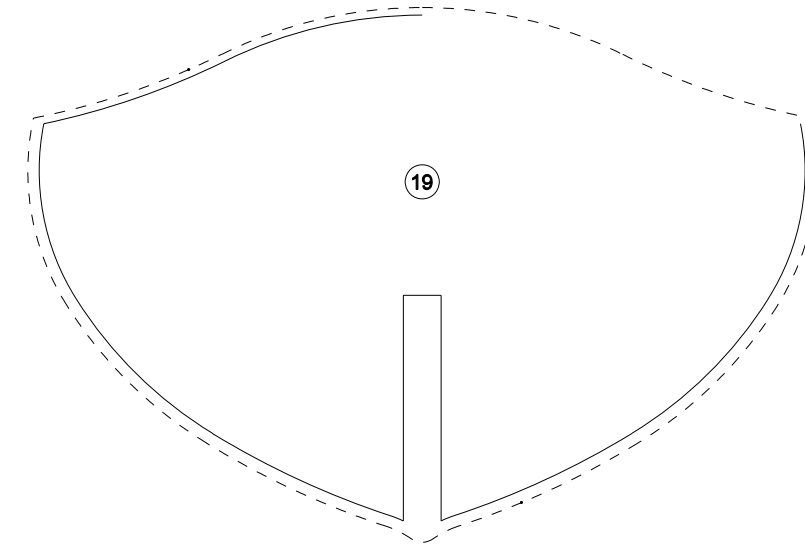
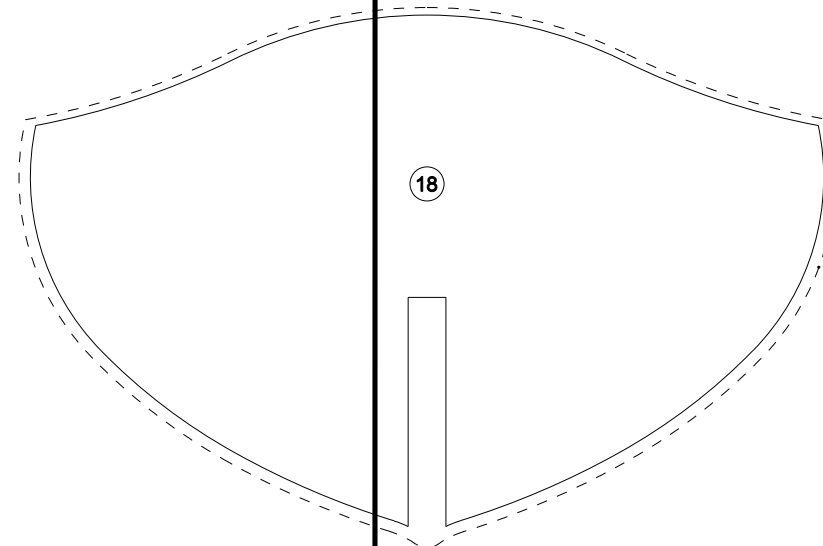
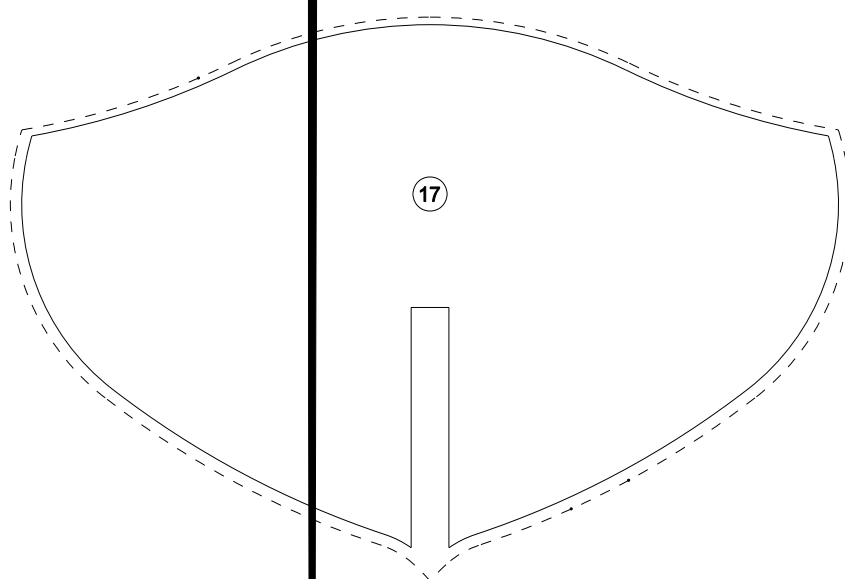
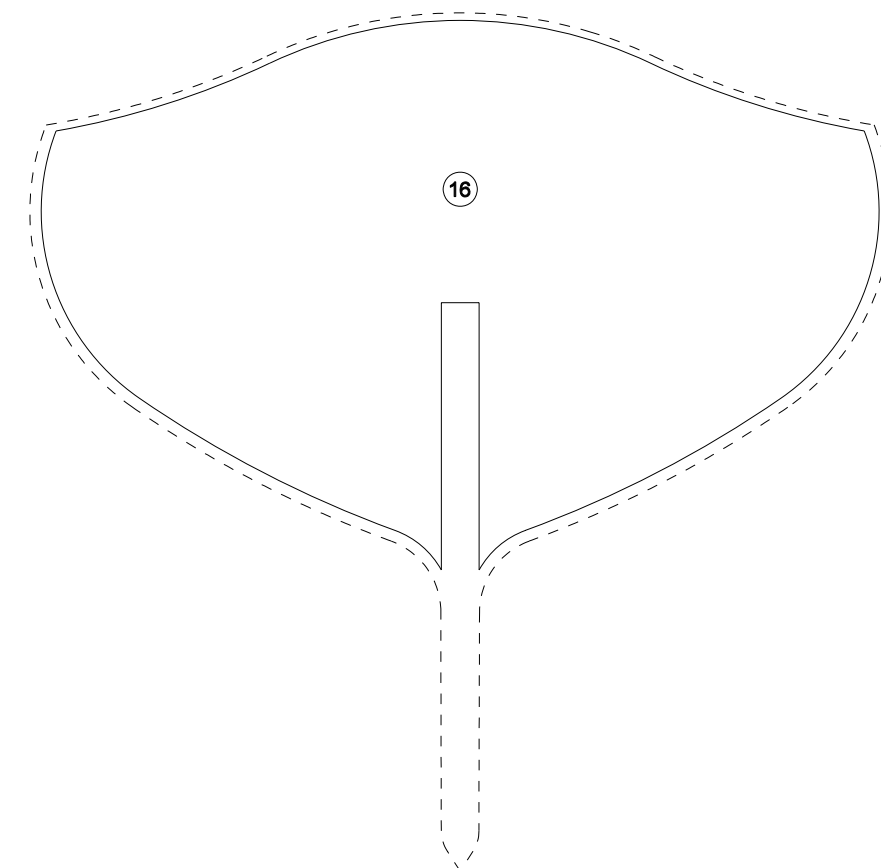
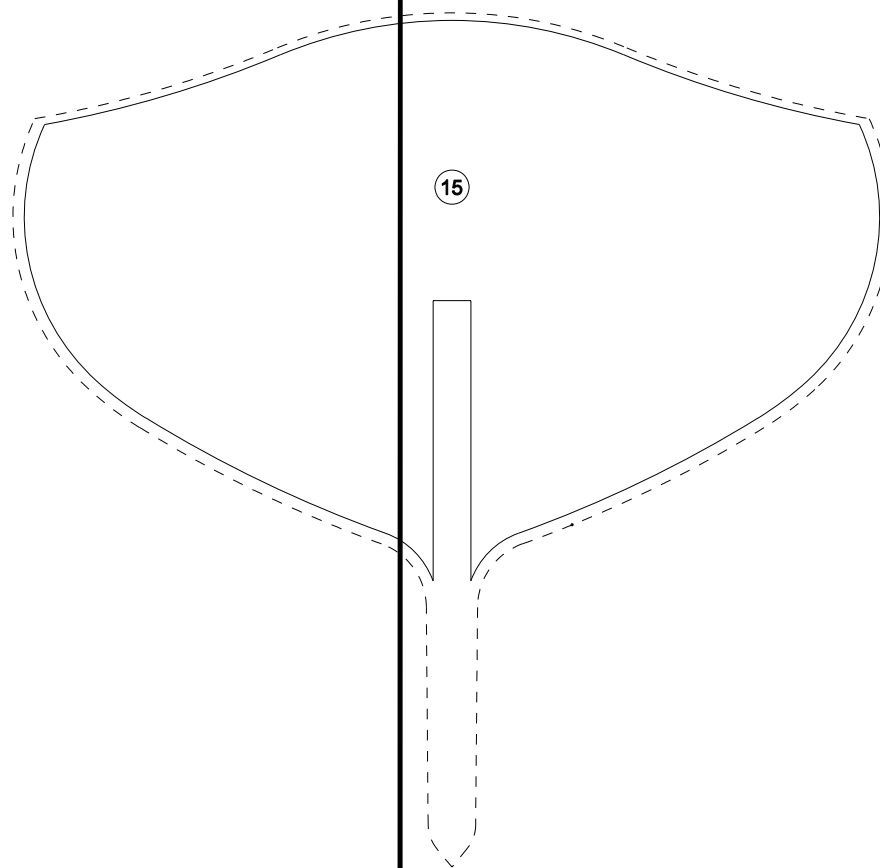
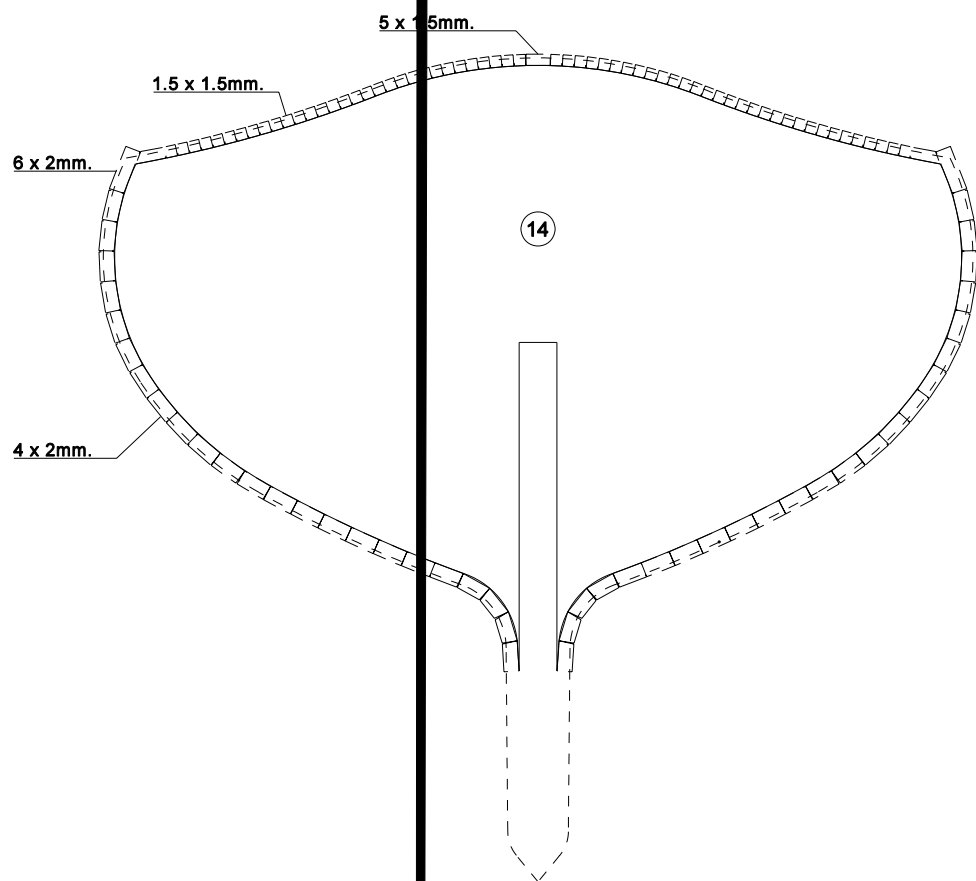
— LINEA DE CORTE DE LAS CUADERNAS  
 - - - LINEA DE ACABADO DEL CASCO

DESIGN N° 2062-C3  
**MACHICHACO**  
 29'-7<sup>5</sup>/<sub>8</sub>" LWL ONE TON CUP

LOA 38'7" - LWL 29' 7<sup>5</sup>/<sub>8</sub>" - BEAMMAX 11'3<sup>5</sup>/<sub>8</sub>" - DRAFT 6'6"  
**SPARKMAN AND STEPHENS INC.** JULY 1971  
 BUILT BY "ASTILLEROS CARABELA" BARCELONA 1972

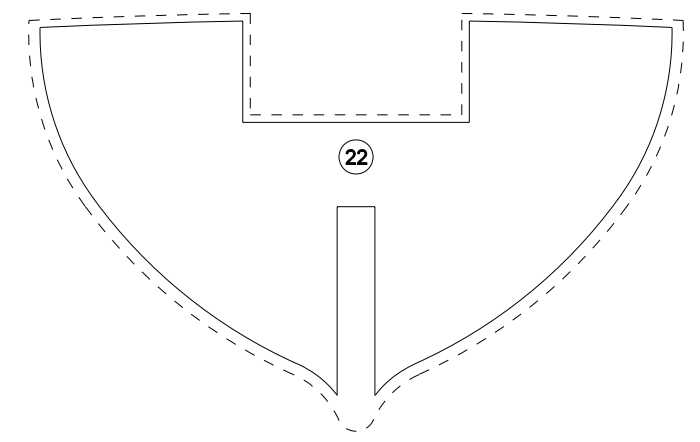
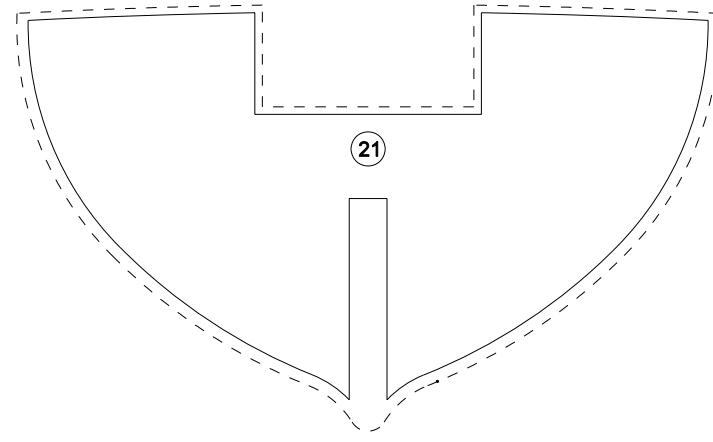
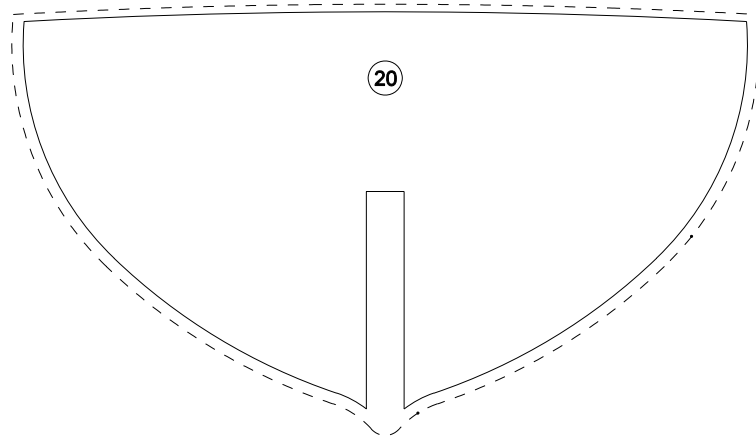


**Machichaco naval model to Scale 1/30** **Álvaro Robledo**  
 BULKHEADS 1 - 13  
 MARCH 2004  
 S 1/1 No. 07

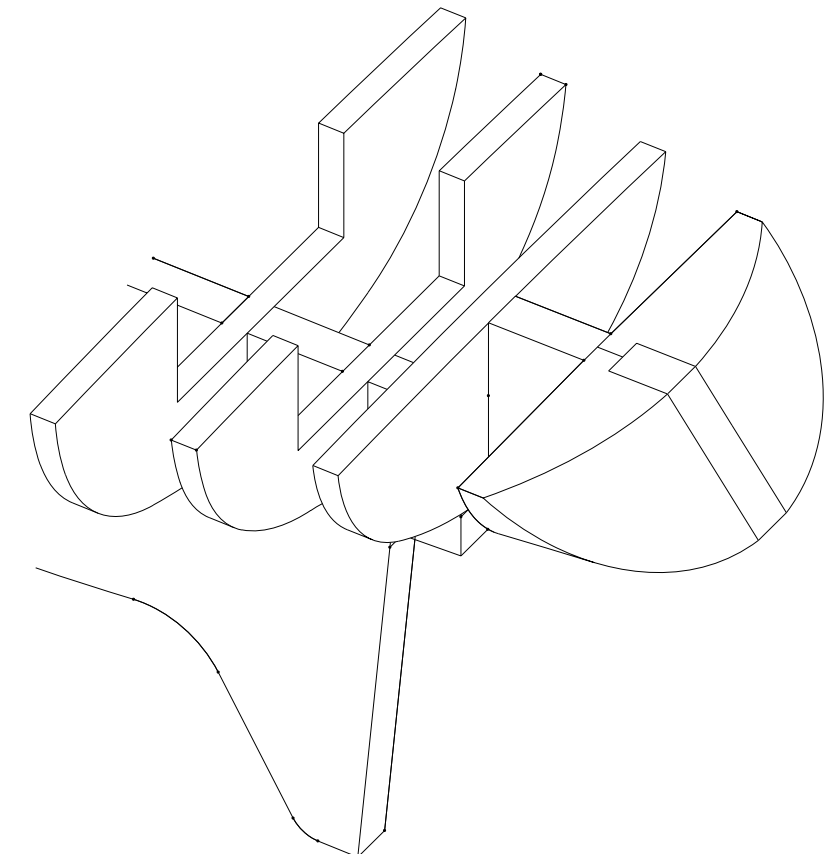
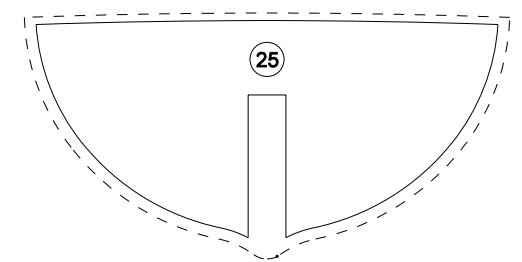
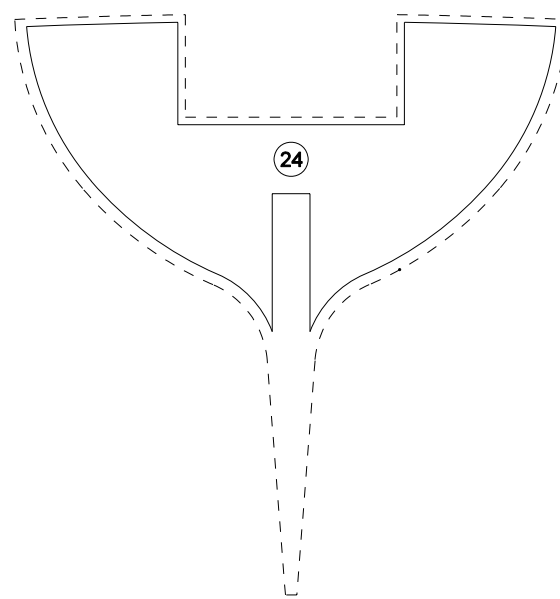
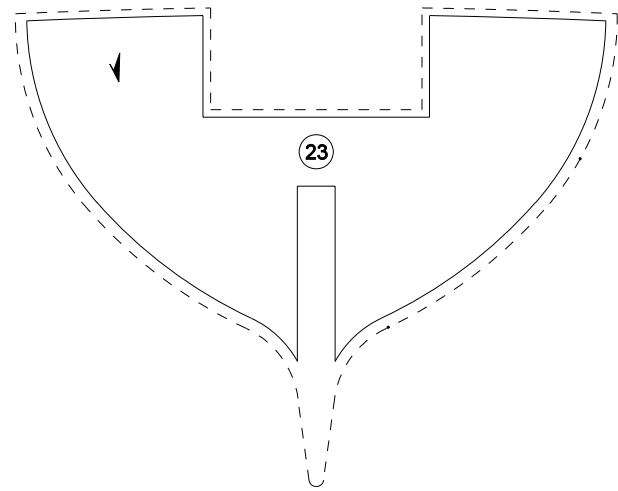


— LINEA DE CORTE DE LAS CUADERNAS  
 - - - LINEA DE ACABADO DEL CASCO





— LINEA DE CORTE DE LAS CUADERNAS  
 - - - LINEA DE ACABADO DEL CASCO



PLANTA

ALZADO DE POPA

LOA

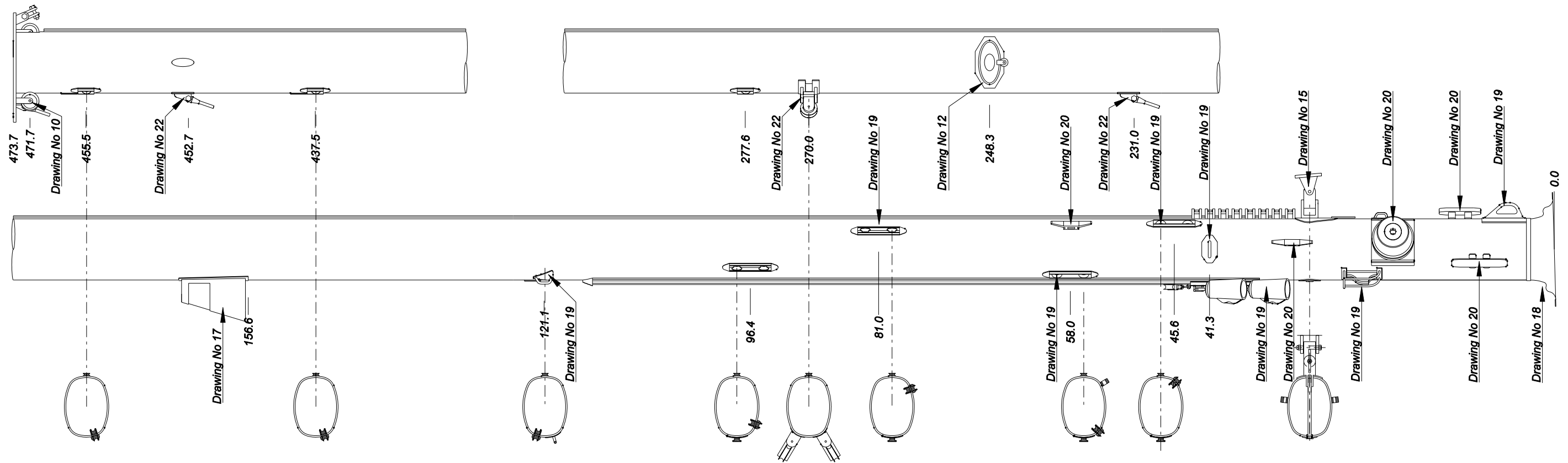
Machichaco naval model to Scale 1/30

Álvaro Robledo

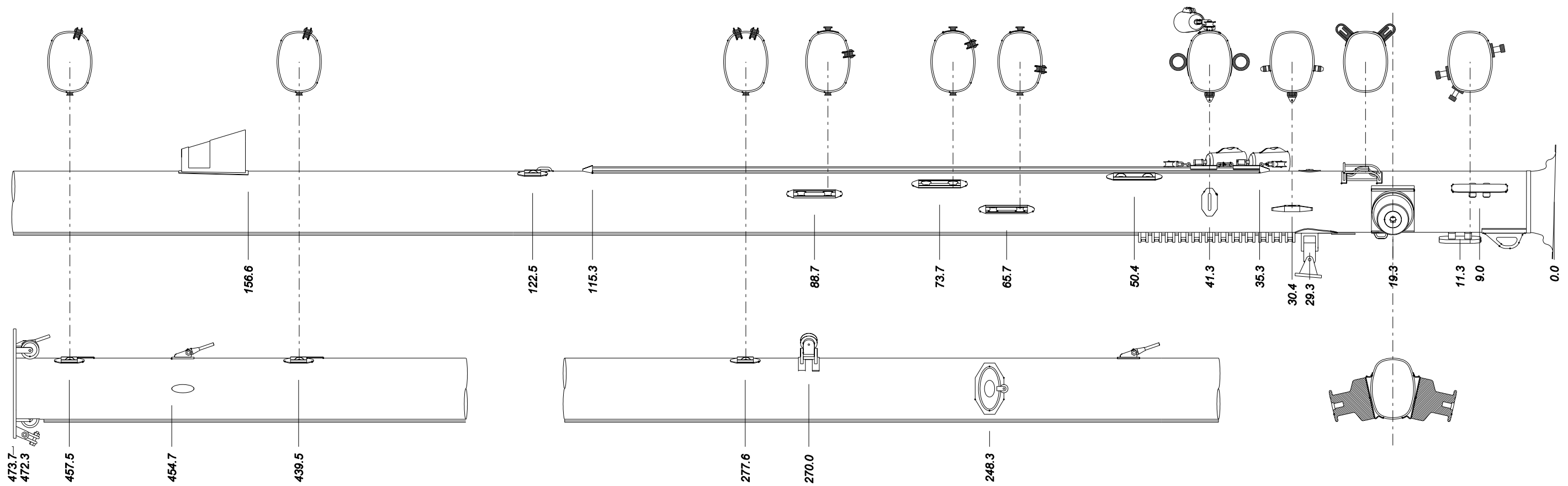
BULKHEADS 20 - 25 AND TRANSOM STERN PARTS

MARCH 2004

S 1/1 No.09



STARBOARD VIEW



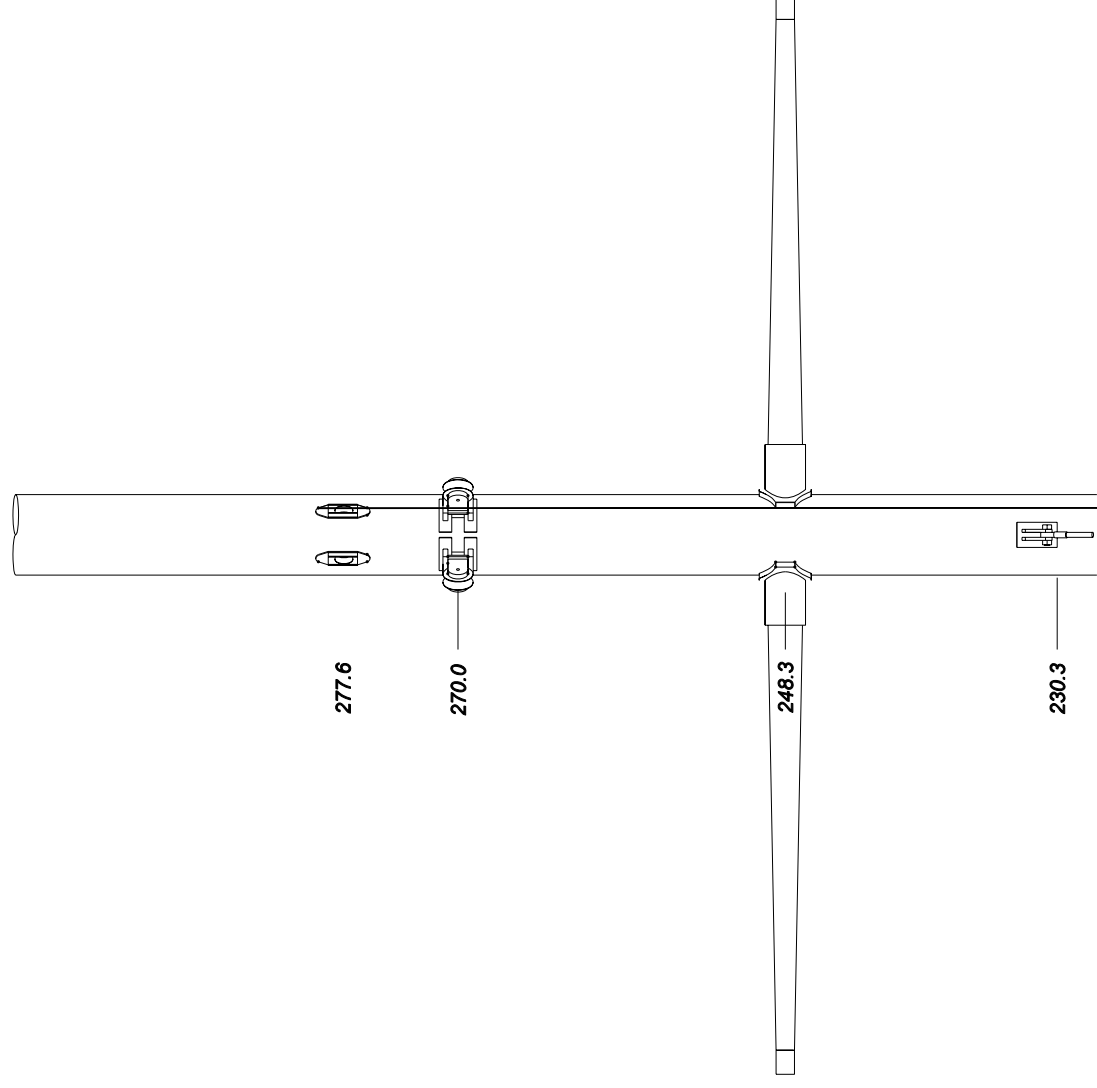
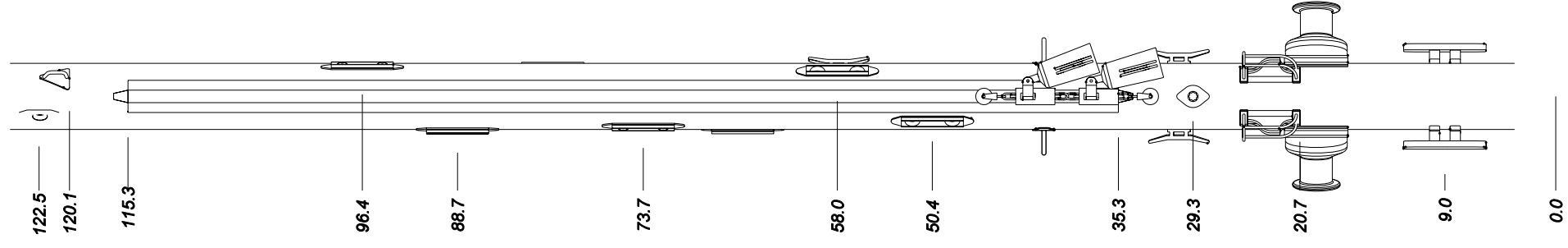
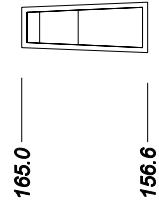
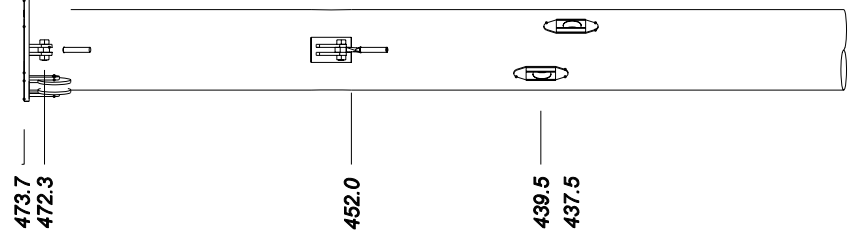
PORT VIEW

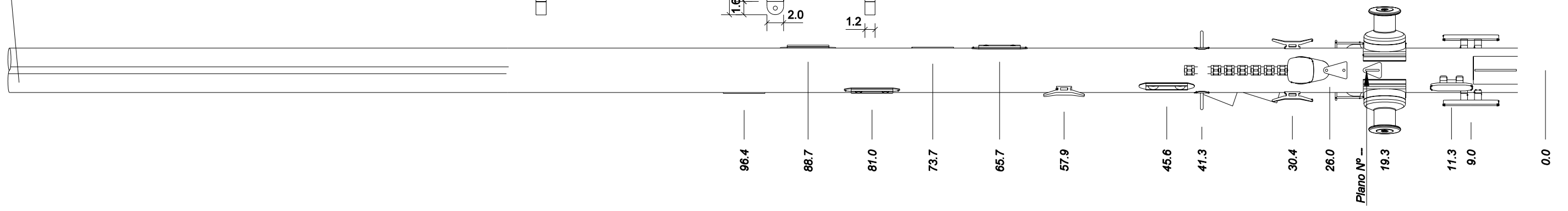
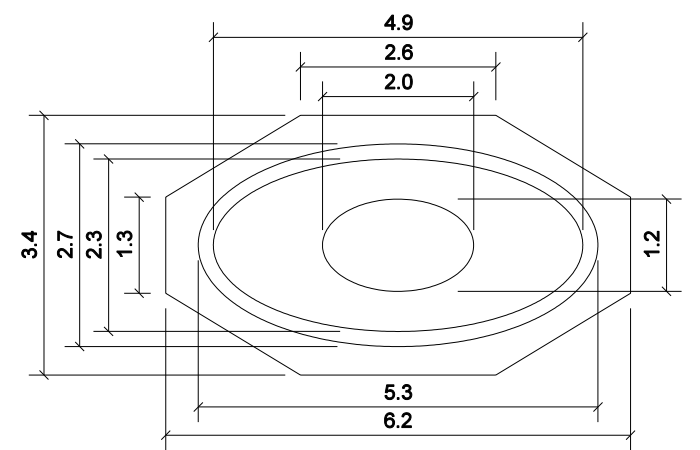
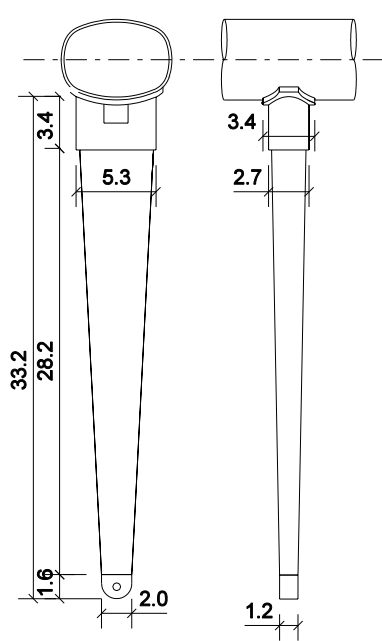
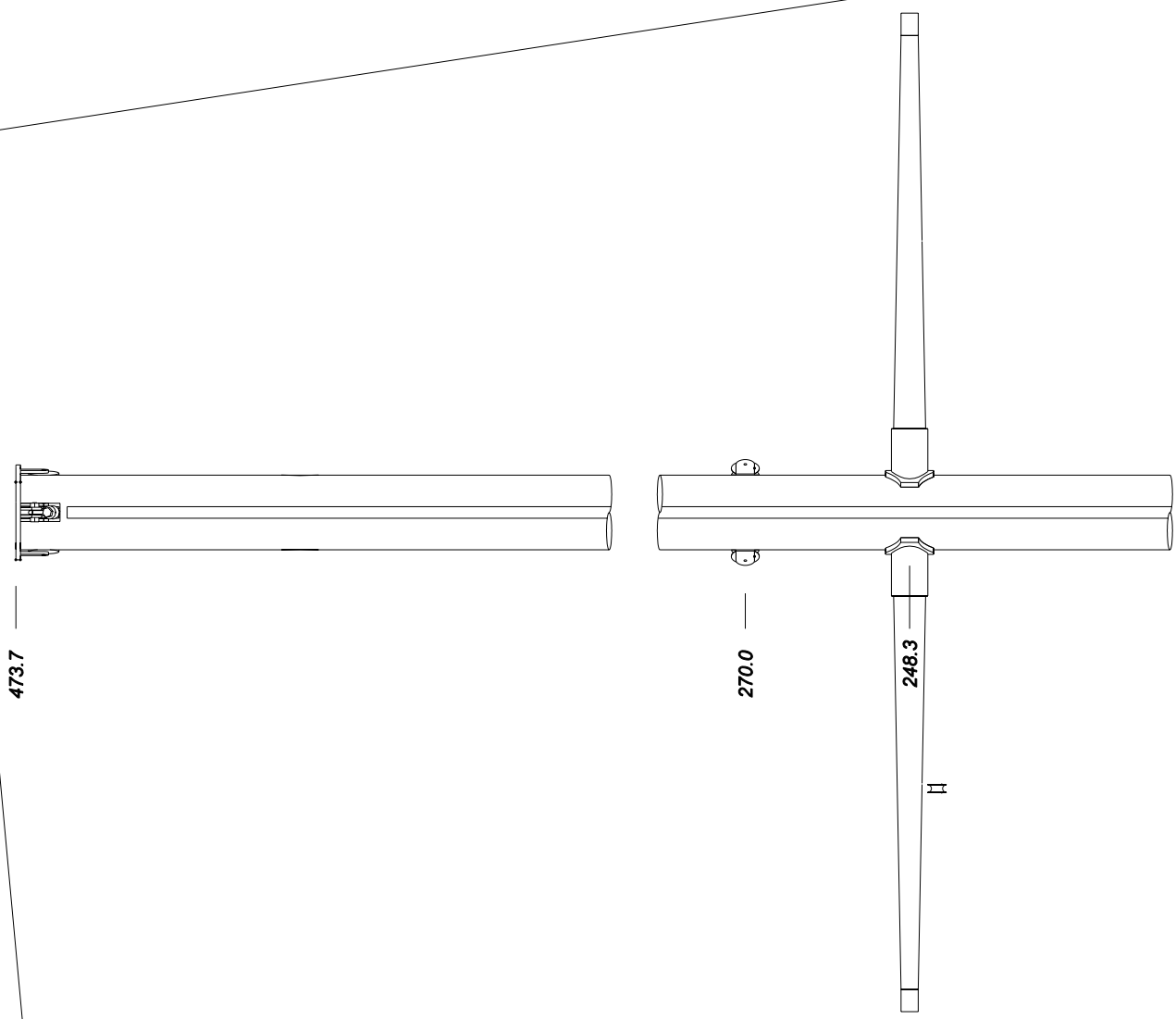
DESIGN N°2062-C3  
**MACHICHACO**  
 29'-7<sup>5</sup>/<sub>8</sub>" LWL ONE TON CUP

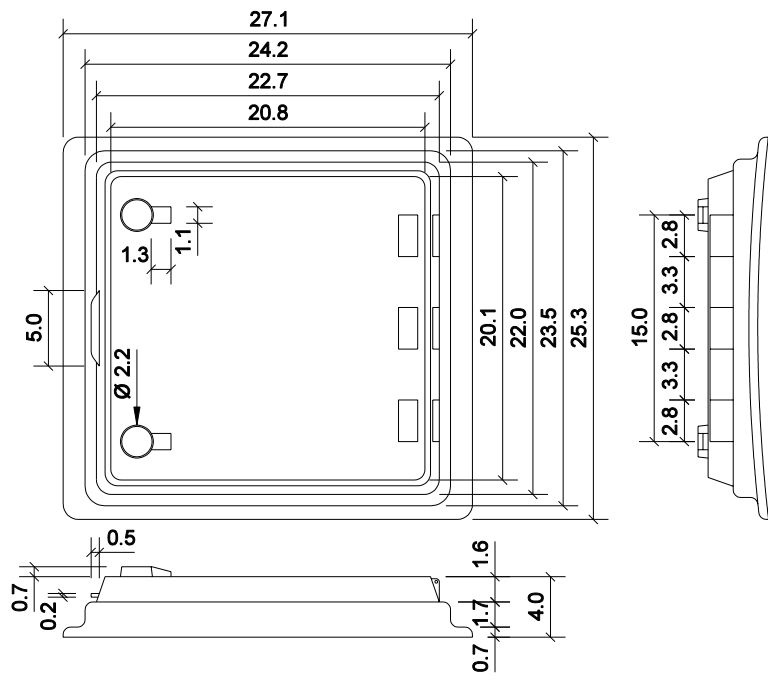
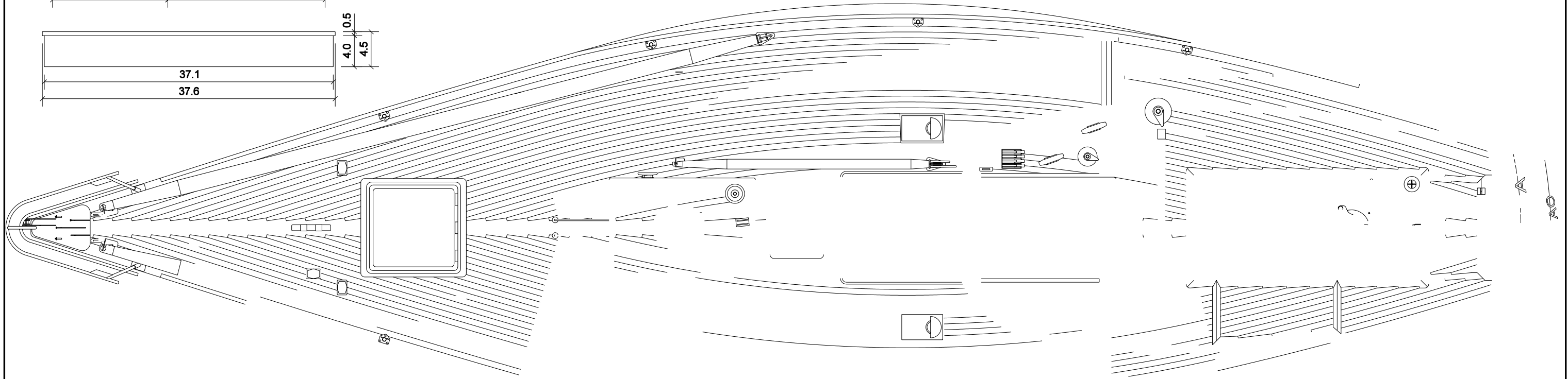
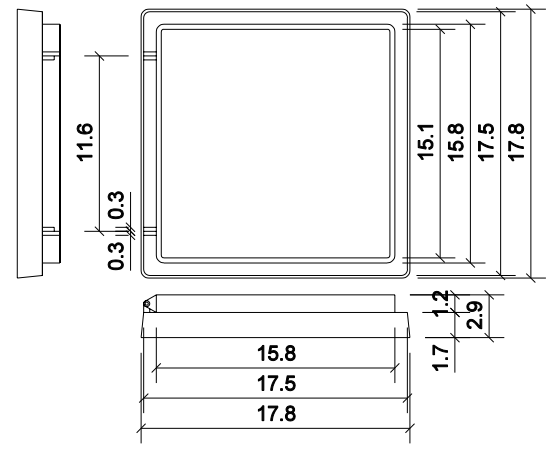
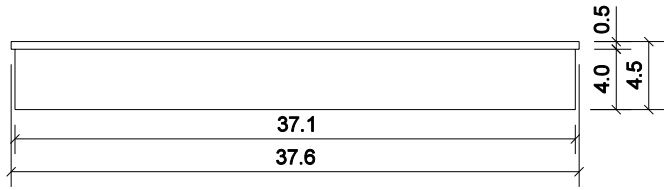
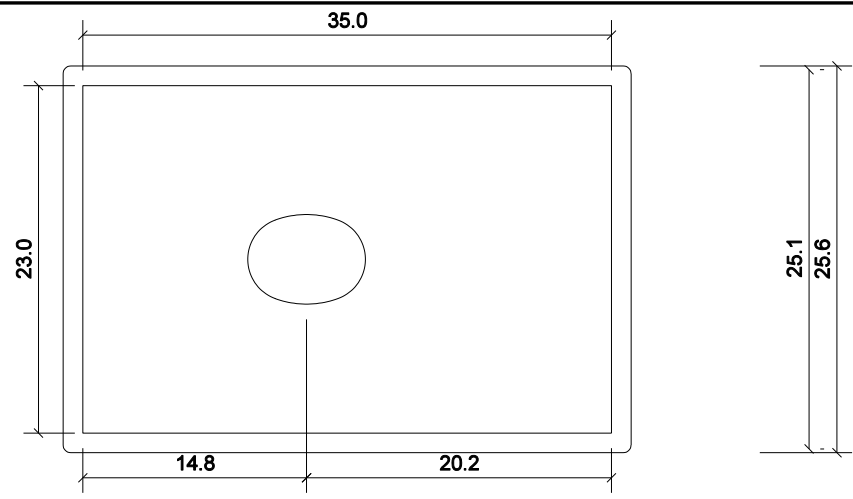
LOA 38'7" - LWL 29' 7<sup>5</sup>/<sub>8</sub>" - BEAMMAX 11'3<sup>5</sup>/<sub>8</sub>" - DRAFT 6'6"  
**SPARKMAN AND STEPHENS INC.** JULY 1971  
 BUILT BY "ASTILLEROS CARABELA" BARCELONA 1972

Machichaco naval model to Scale 1/30  
 PORT AND STARBOARD MAST VIEWS

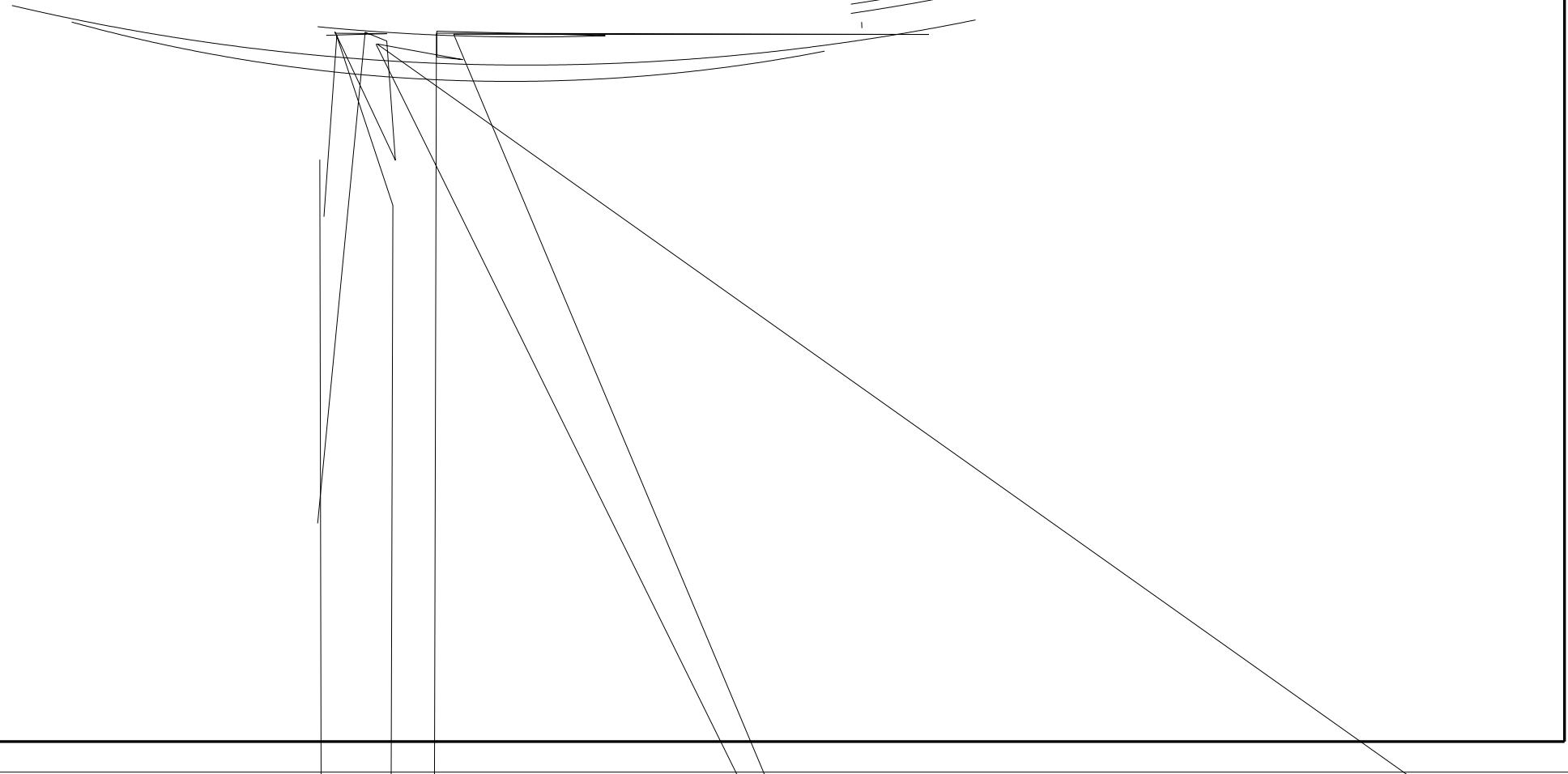
Álvaro Robledo  
 MARCH 2004  
 S 2/1 No.10

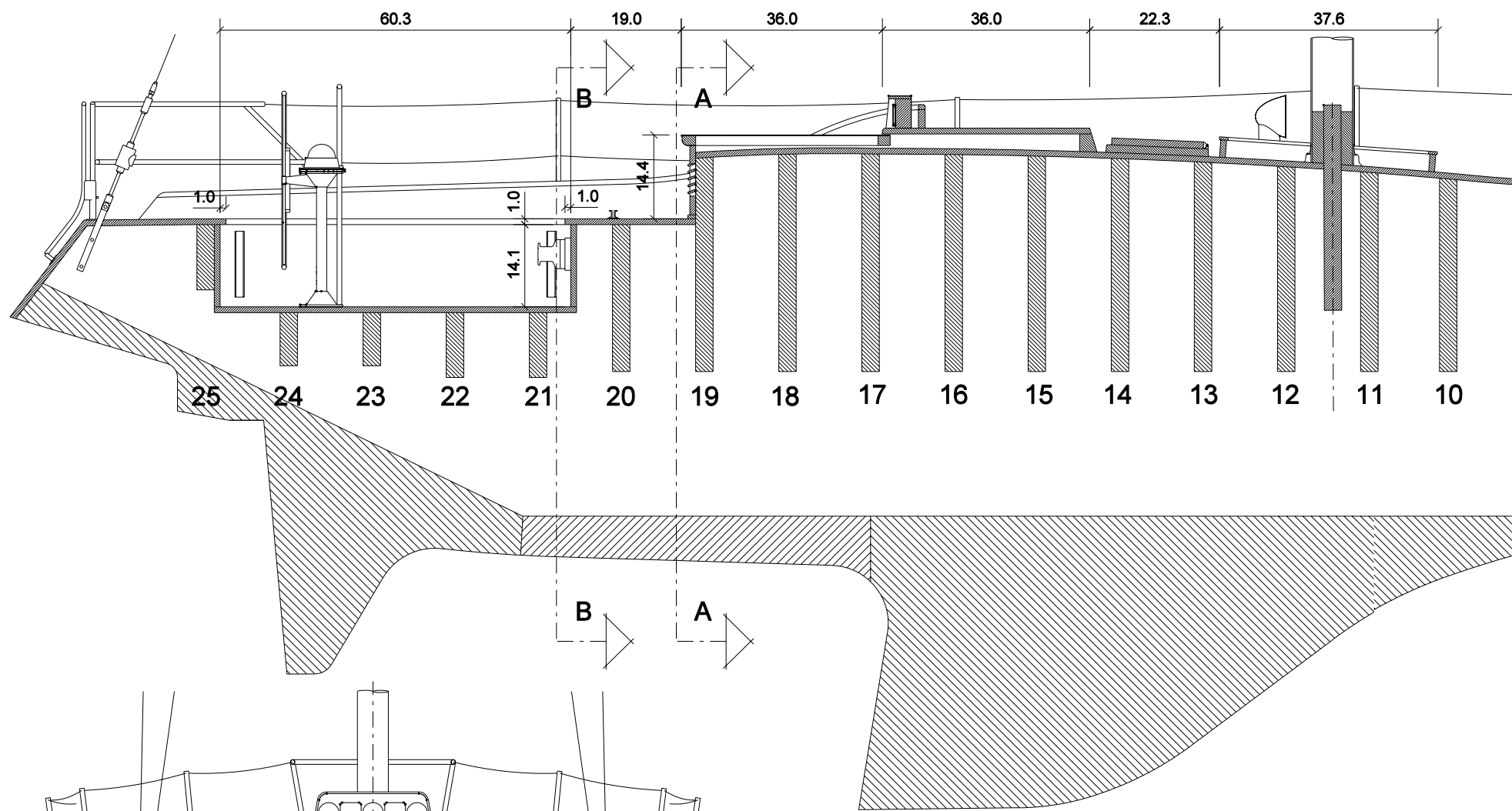




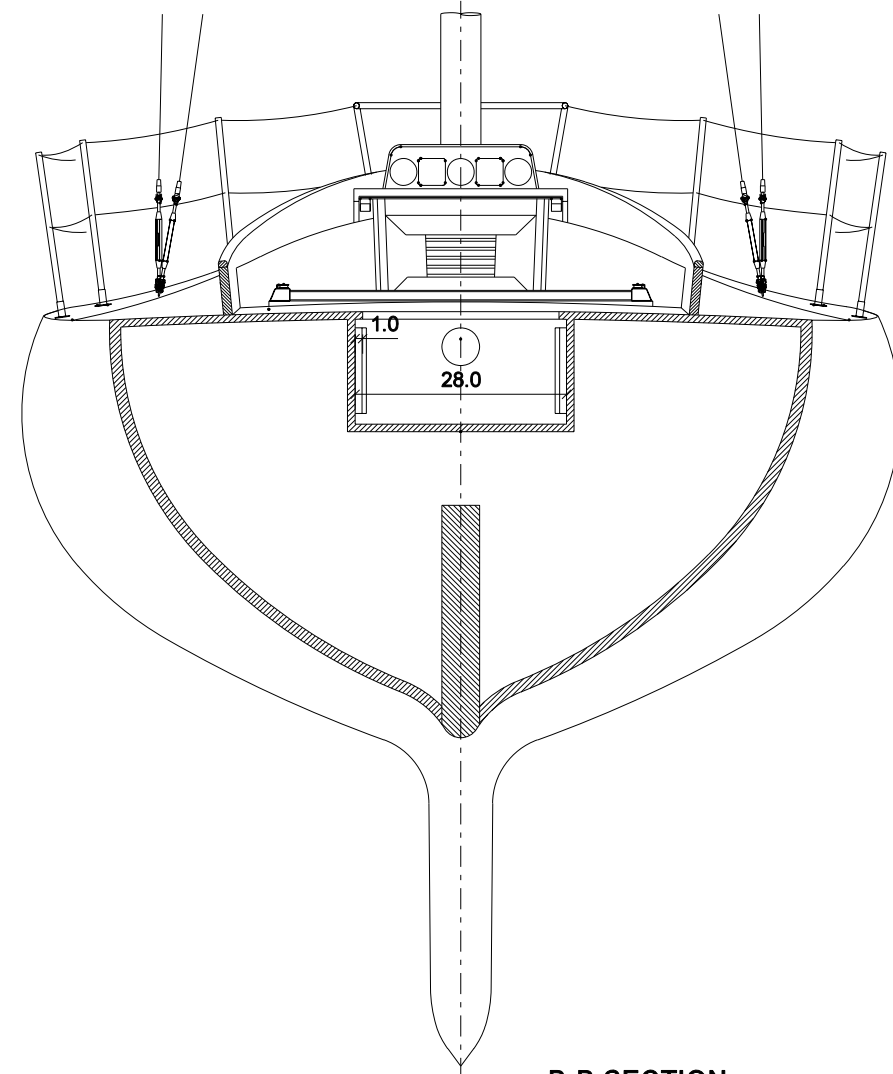


Scale 2:1

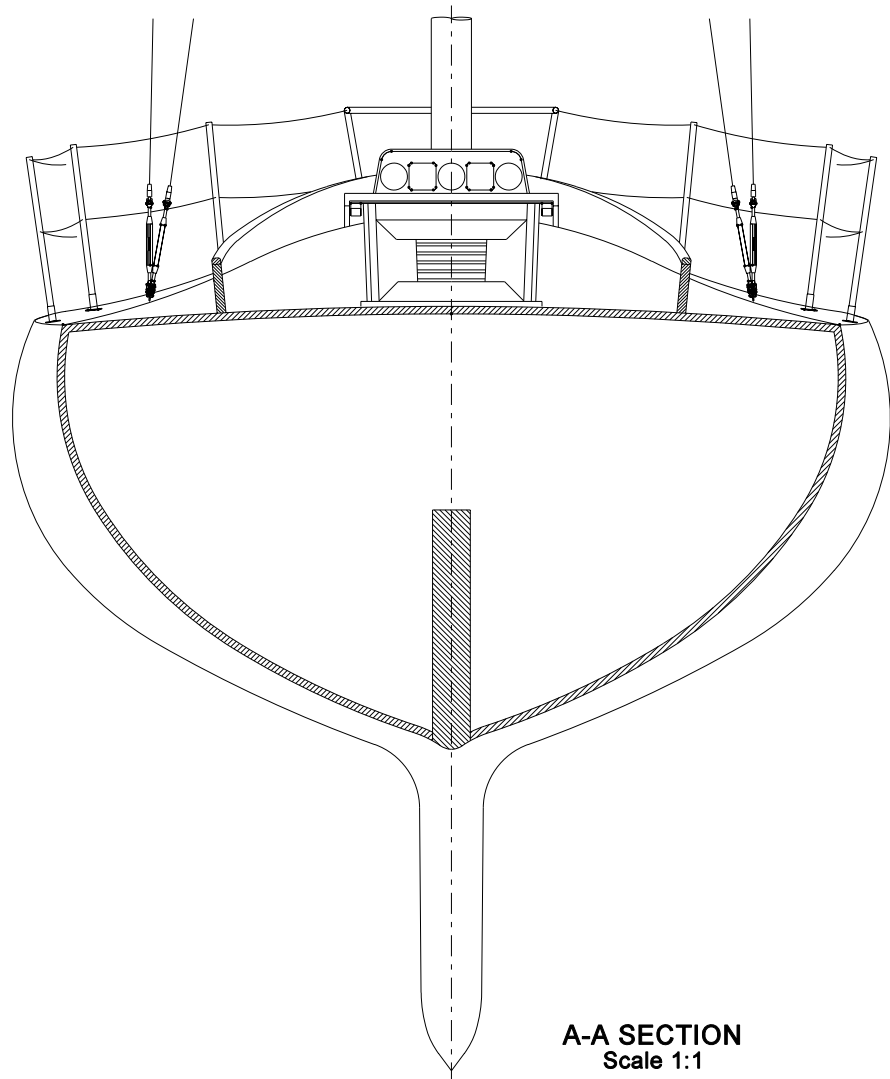




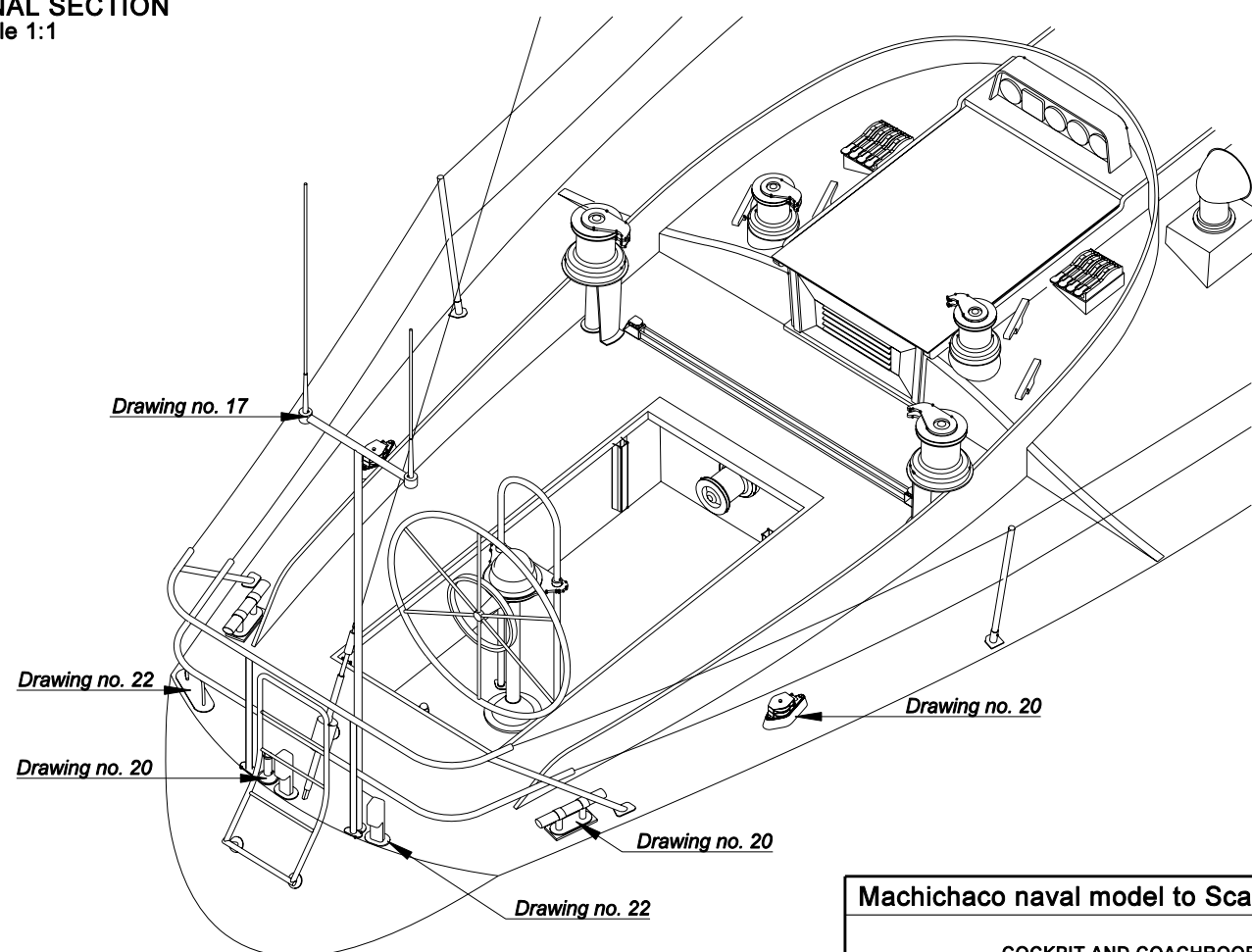
LONGITUDINAL SECTION  
Scale 1:1



B-B SECTION  
Scale 1:1



A-A SECTION  
Scale 1:1

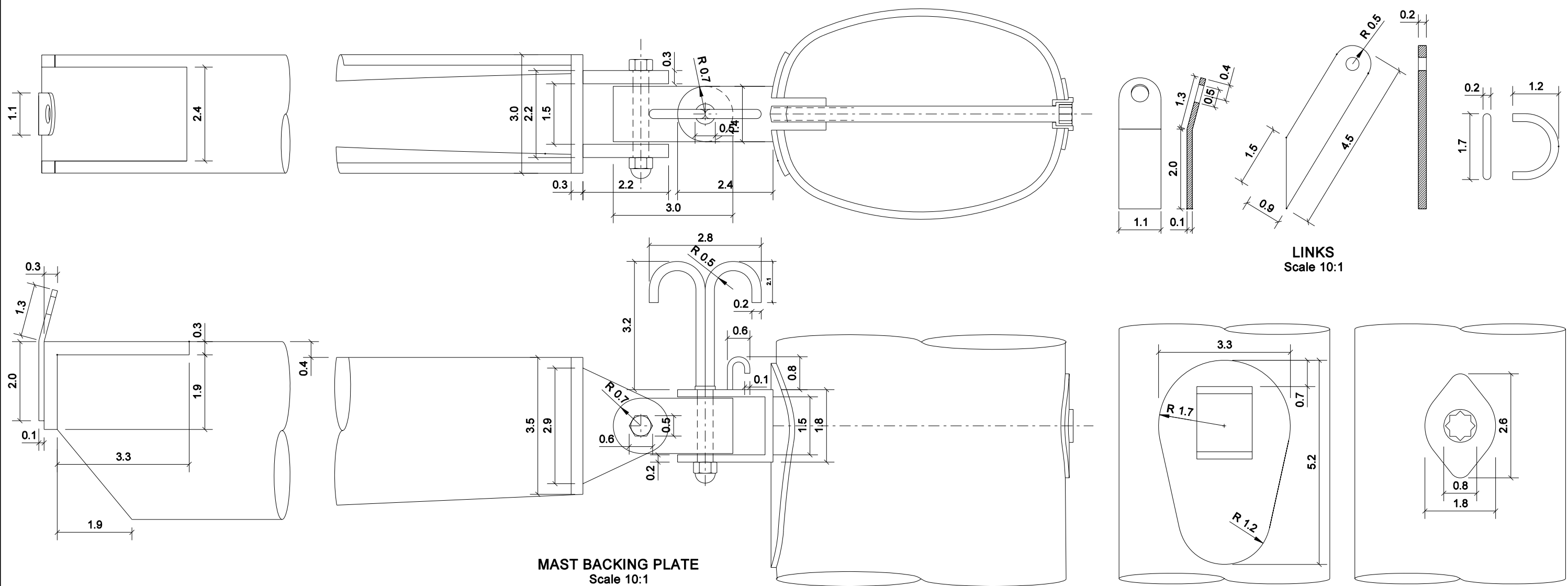


DESIGN N° 2062-C3  
**MACHICHACO**  
 29'-7<sup>5</sup>/<sub>8</sub>" LWL ONE TON CUP

LOA 38'7" - LWL 29' 7<sup>5</sup>/<sub>8</sub>" - BEAMMAX 11'3<sup>5</sup>/<sub>8</sub>" - DRAFT 6'6"  
**SPARKMAN AND STEPHENS INC.** JULY 1971  
 BUILT BY "ASTILLEROS CARABELA" BARCELONA 1972

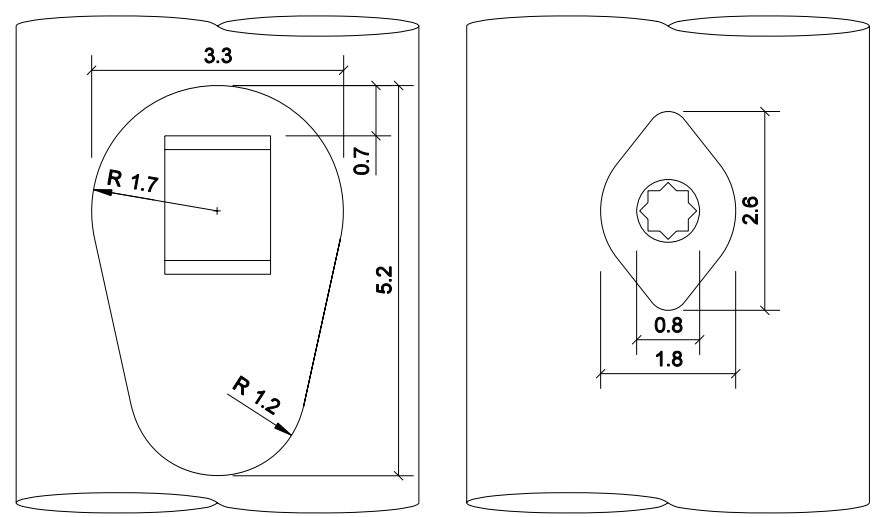
Machichaco naval model to Scale 1/30  
 COCKPIT AND COACHROOF SECTIONS

Álvaro Robledo  
 MARCH 2004  
 S 2/1 No.14



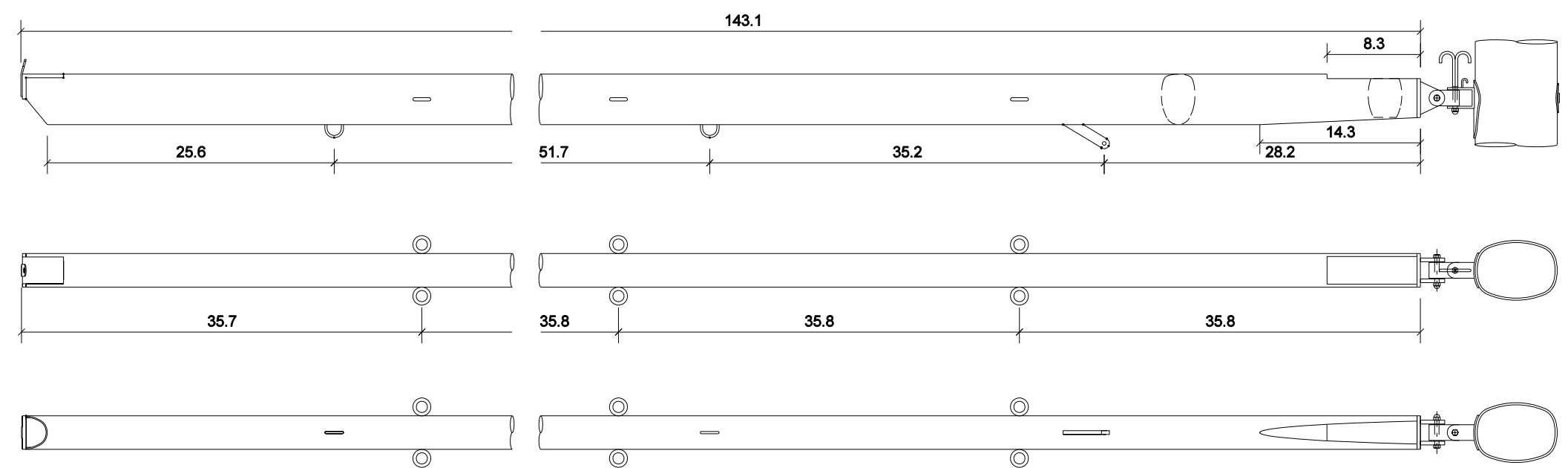
**MAST BACKING PLATE**  
Scale 10:1

**LINKS**  
Scale 10:1

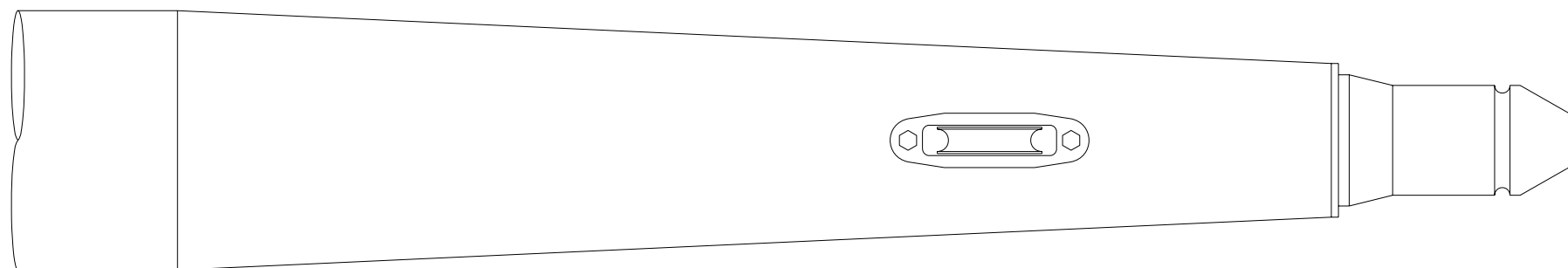
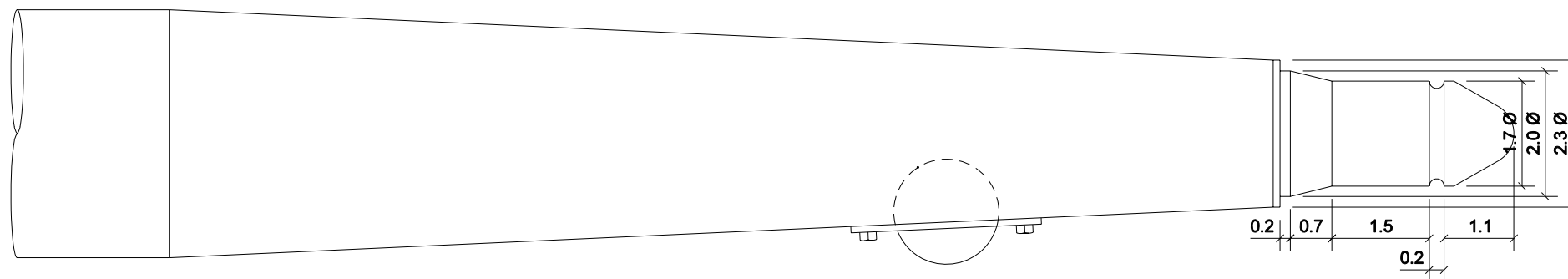
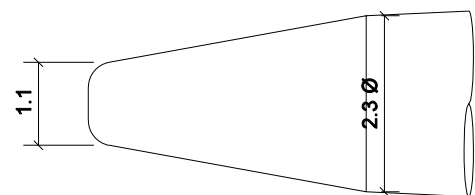
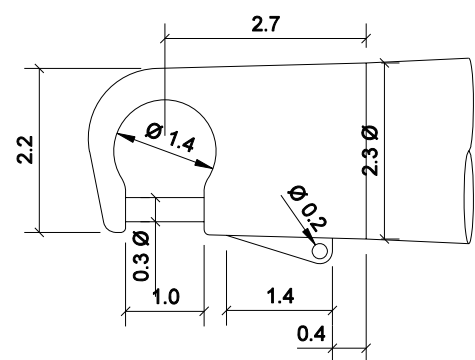
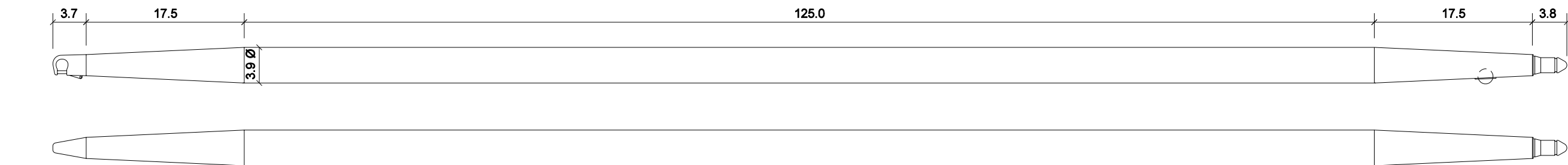


**BOOM SECTION**  
Brass tube 4.7x0.15mm.  
Scale 10:1

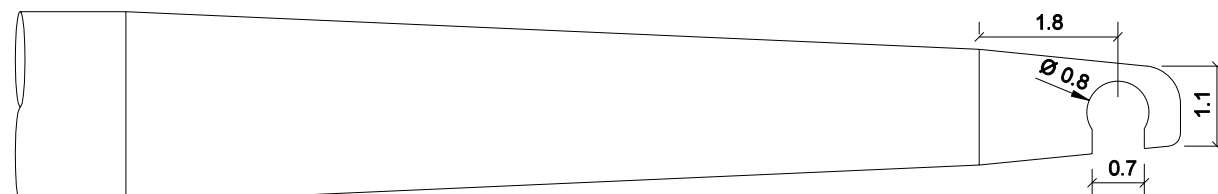
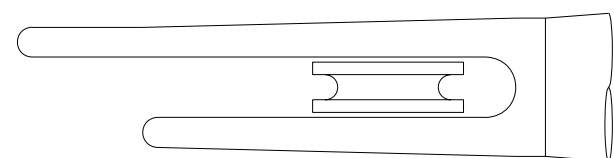
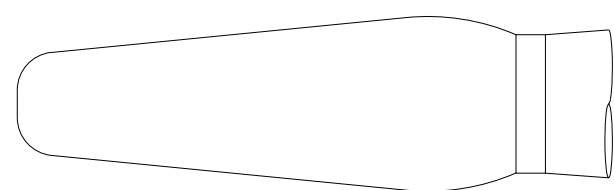
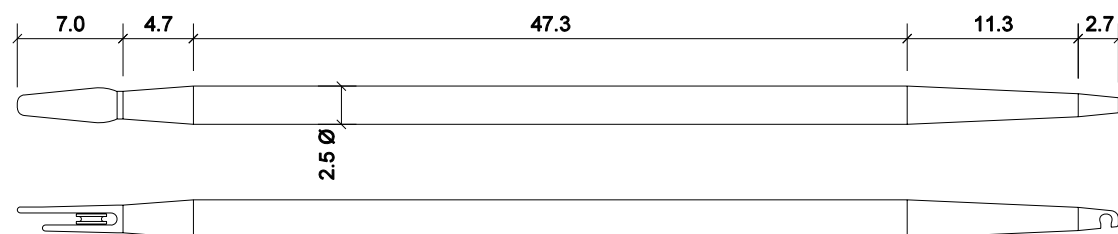
**BLOCK AND TACKLE**  
Scale 15:1



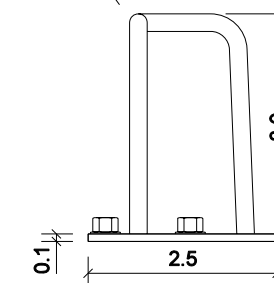
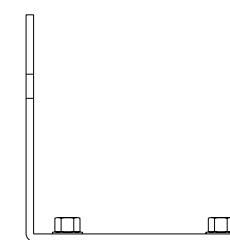
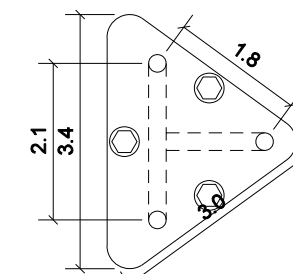
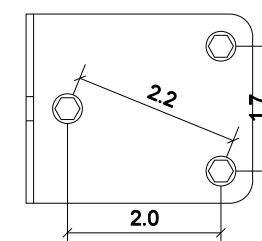
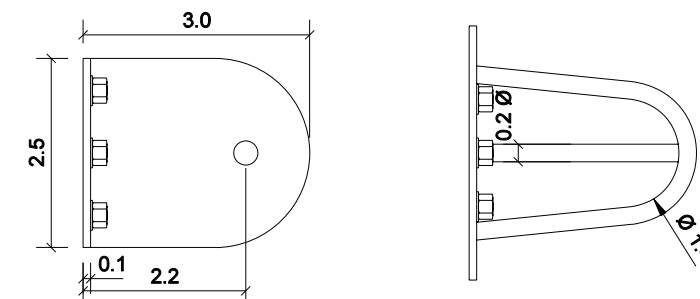
**BOOM VIEWS**  
Scale 2:1



SPINNAKER BOOM DETAILS  
Scale 10:1

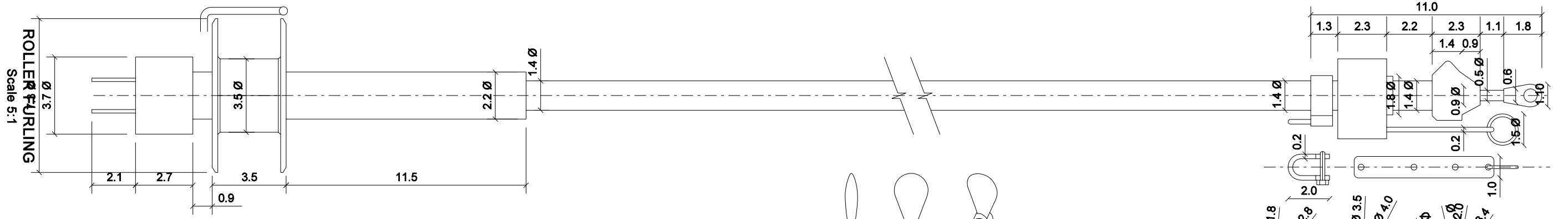


SPINNAKER BOOM DETAILS  
Scale 10:1

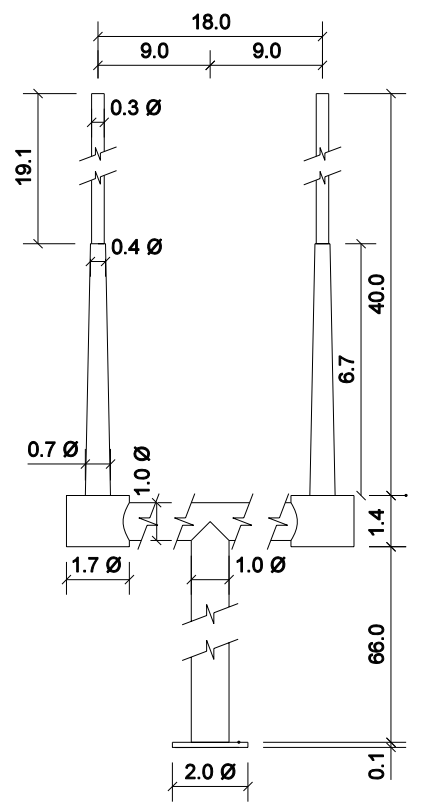


SPINNAKER BOOM STANDS  
Scale 10:1

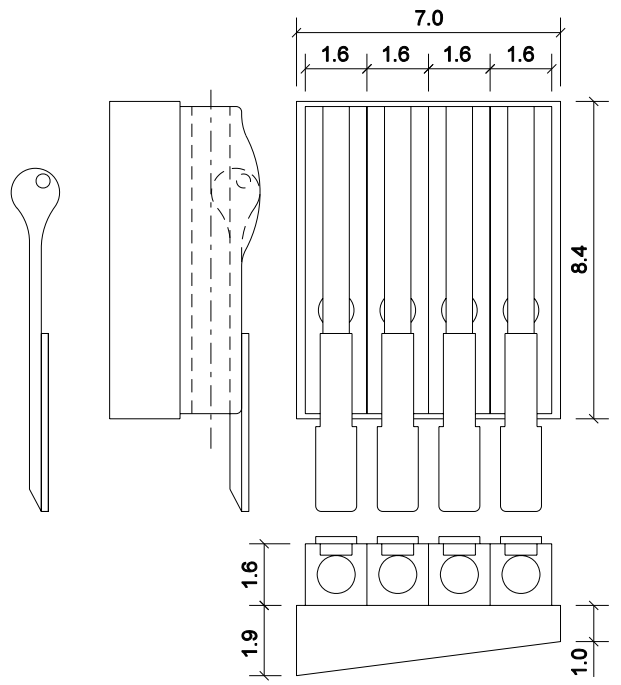
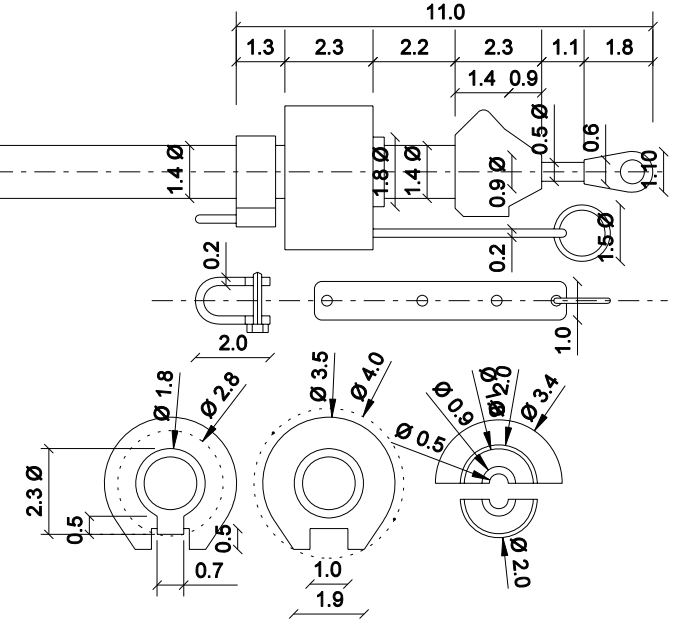
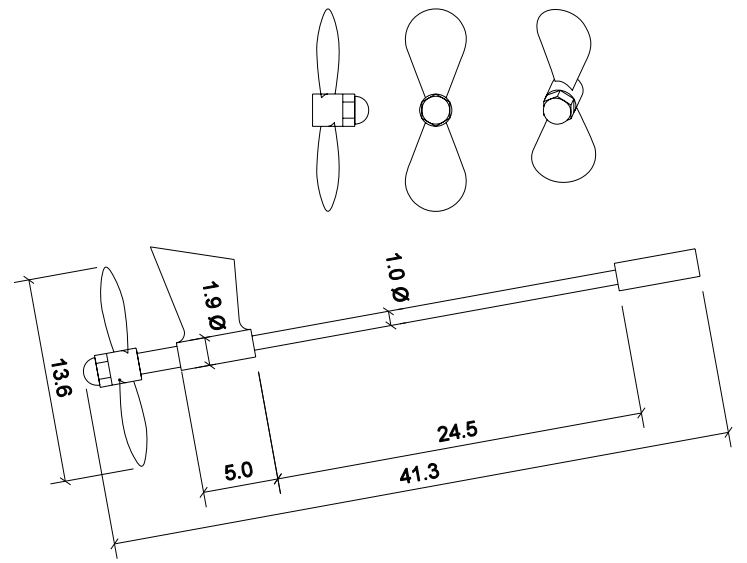




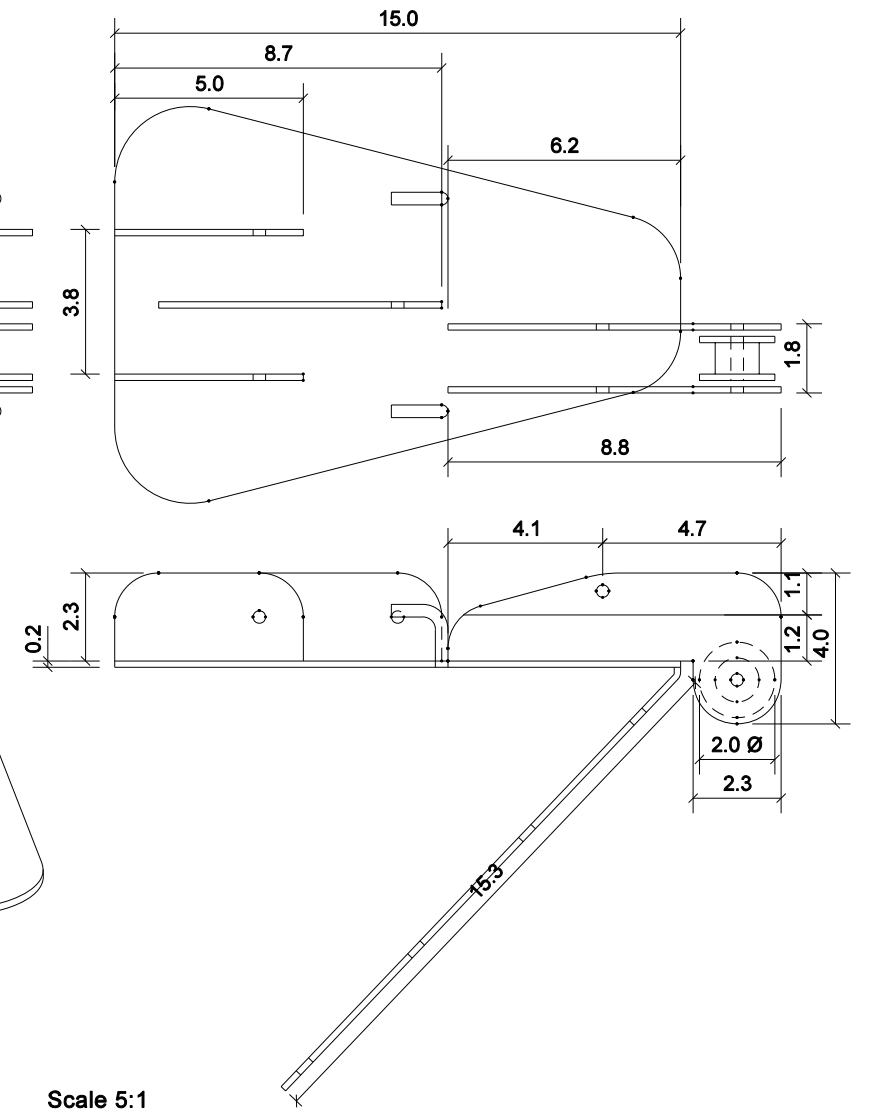
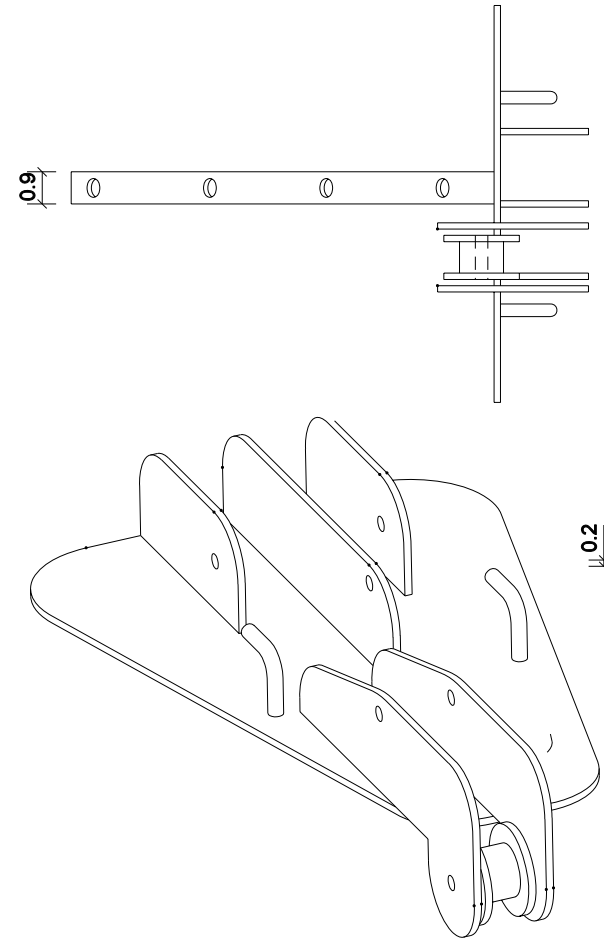
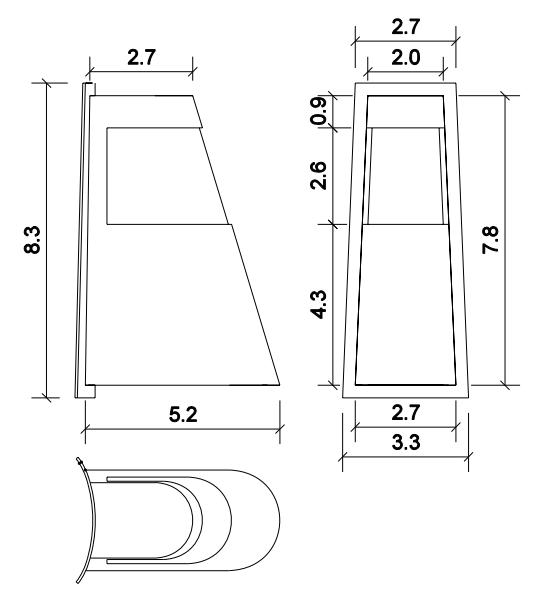
**ROLLER FURLING**  
Scale 5:1



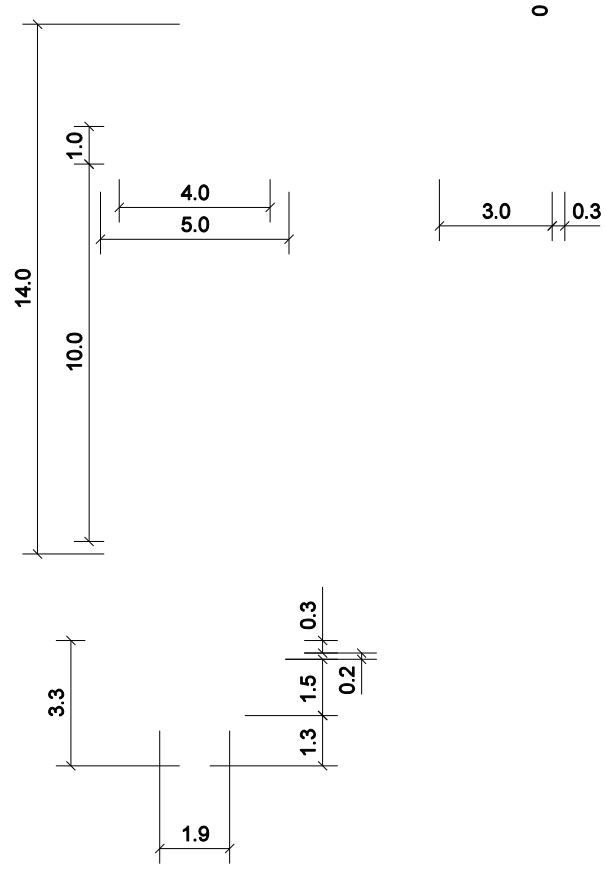
**ANTENNAS**

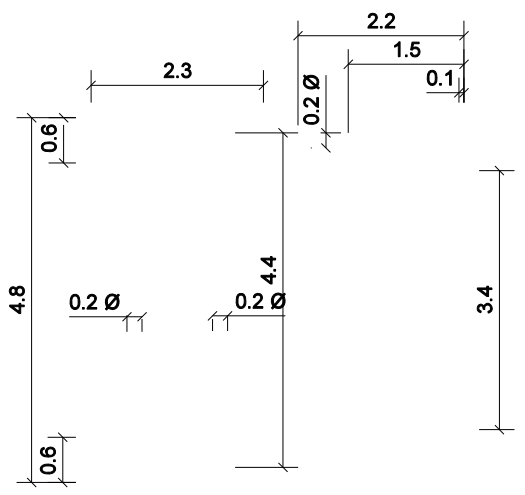
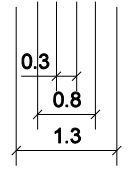


**ROPE CLW**



Scale 5:1





?????

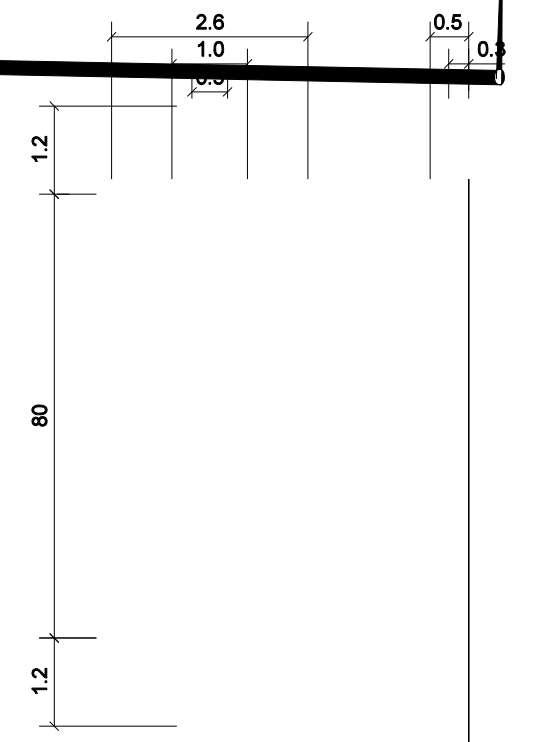
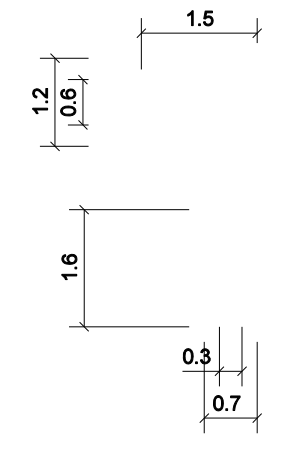
?????

R 0.3

Ø 4.0

Ø 2.2

0.2

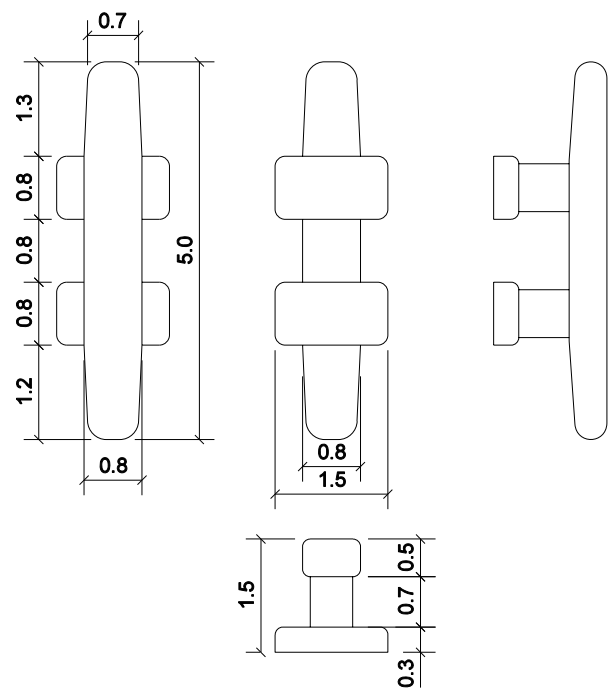


438.3

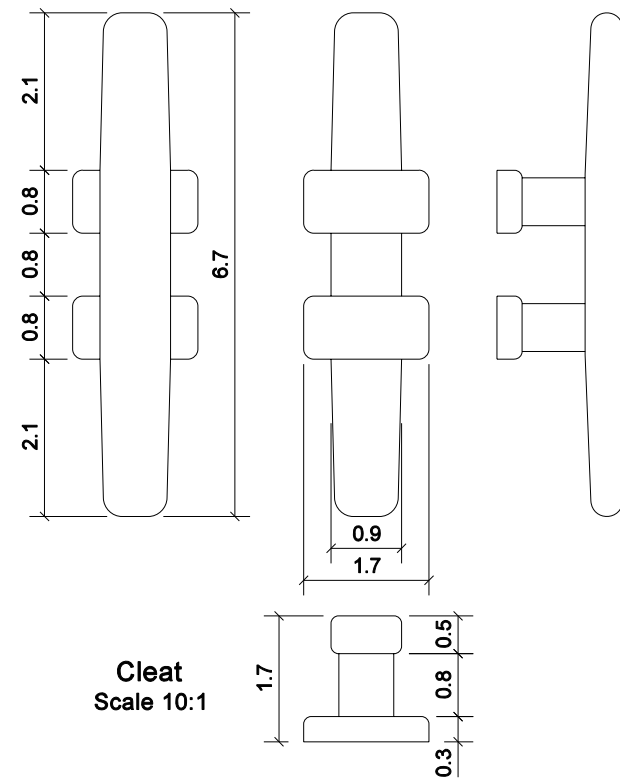
1.1

0.3

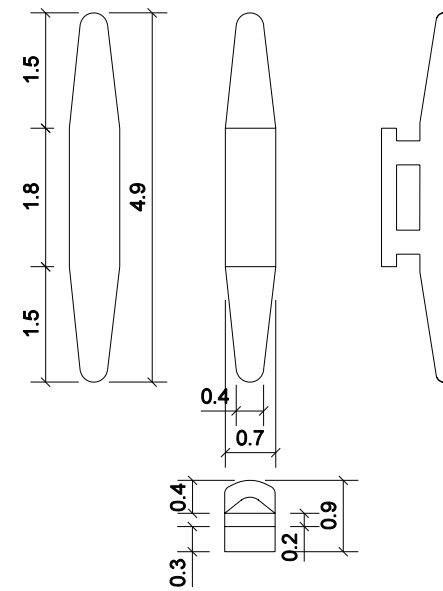
0.5  
0.3



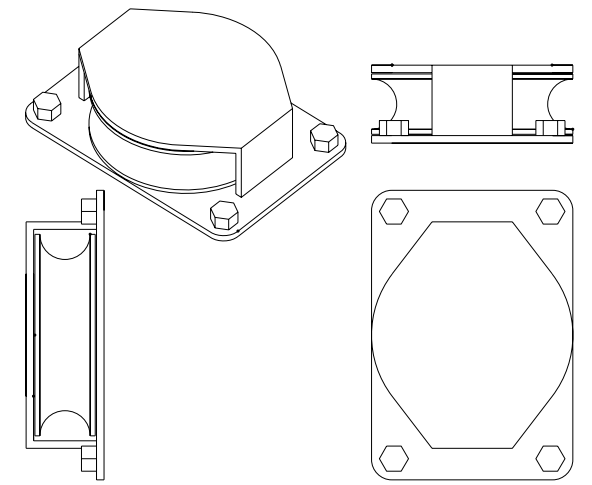
Cleat  
Scale 10:1



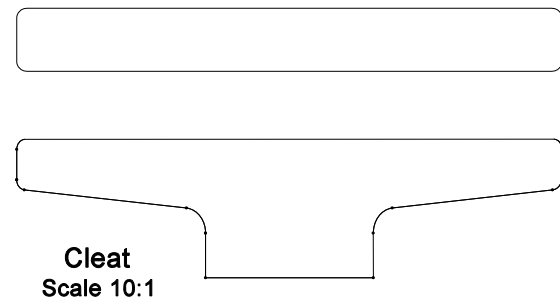
Cleat  
Scale 10:1



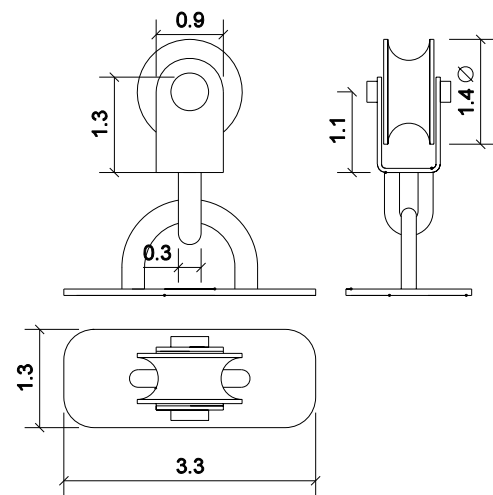
Cleat  
Scale 10:1



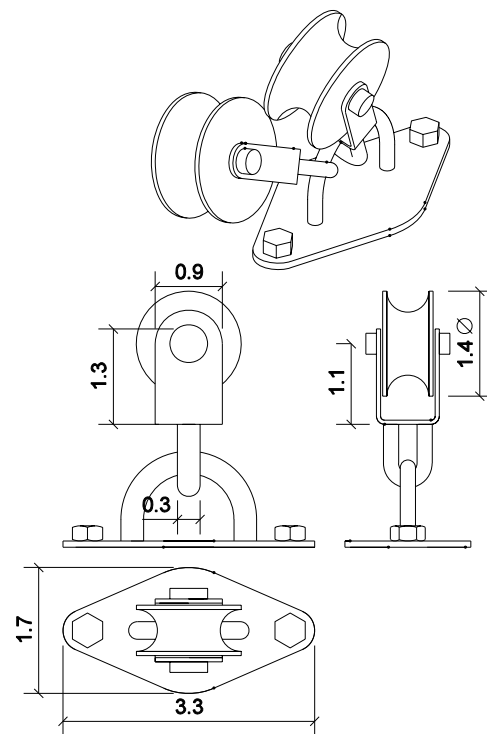
??????  
Scale 10:1



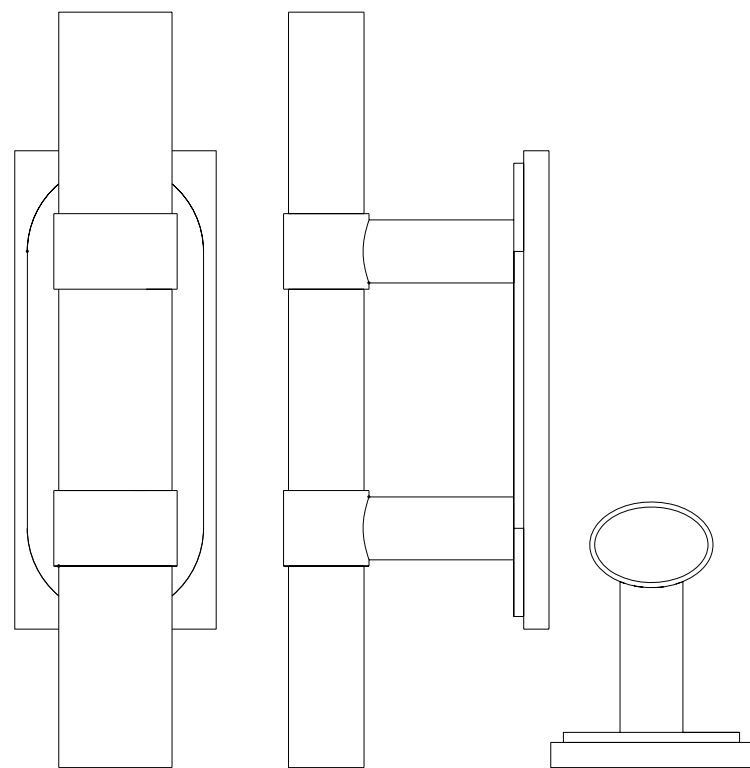
Cleat  
Scale 10:1



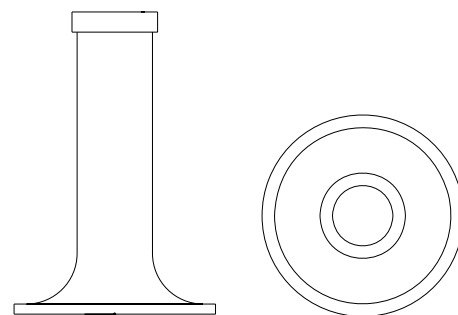
Base & block  
2 piezas  
Scale 10:1



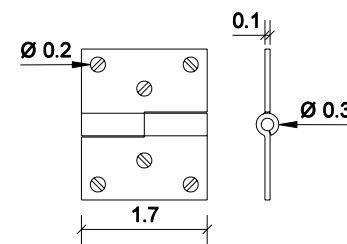
Mast block  
4 piezas  
Scale 10:1



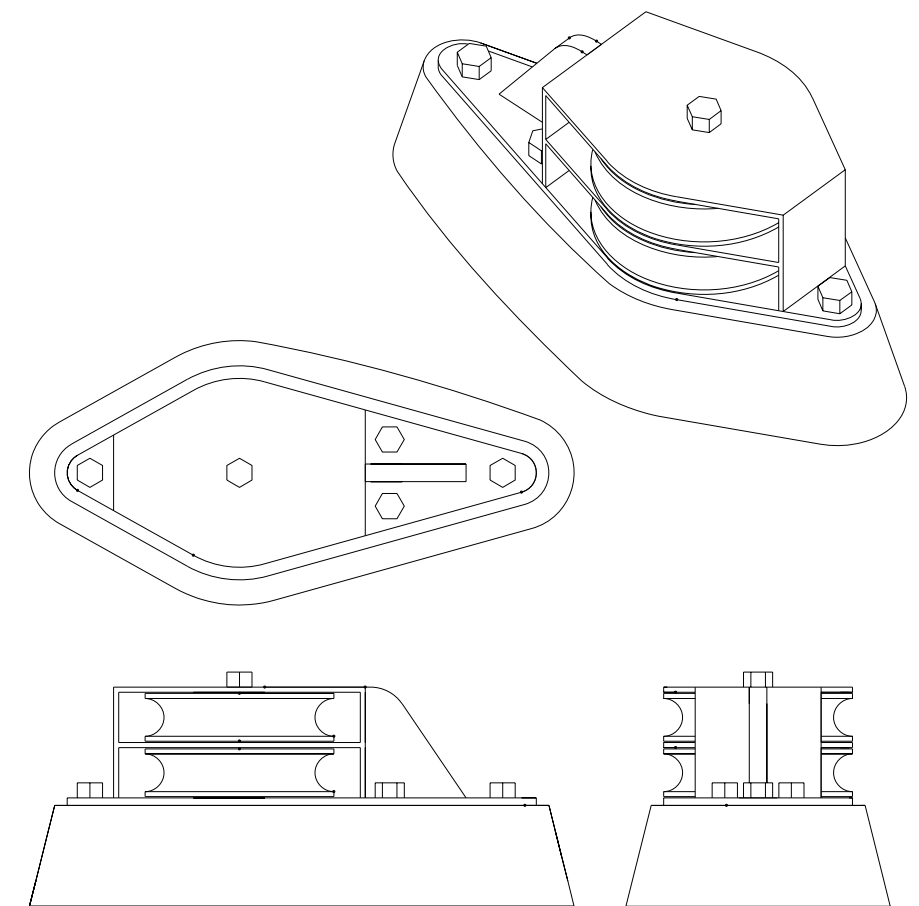
Cleat  
Scale 10:1



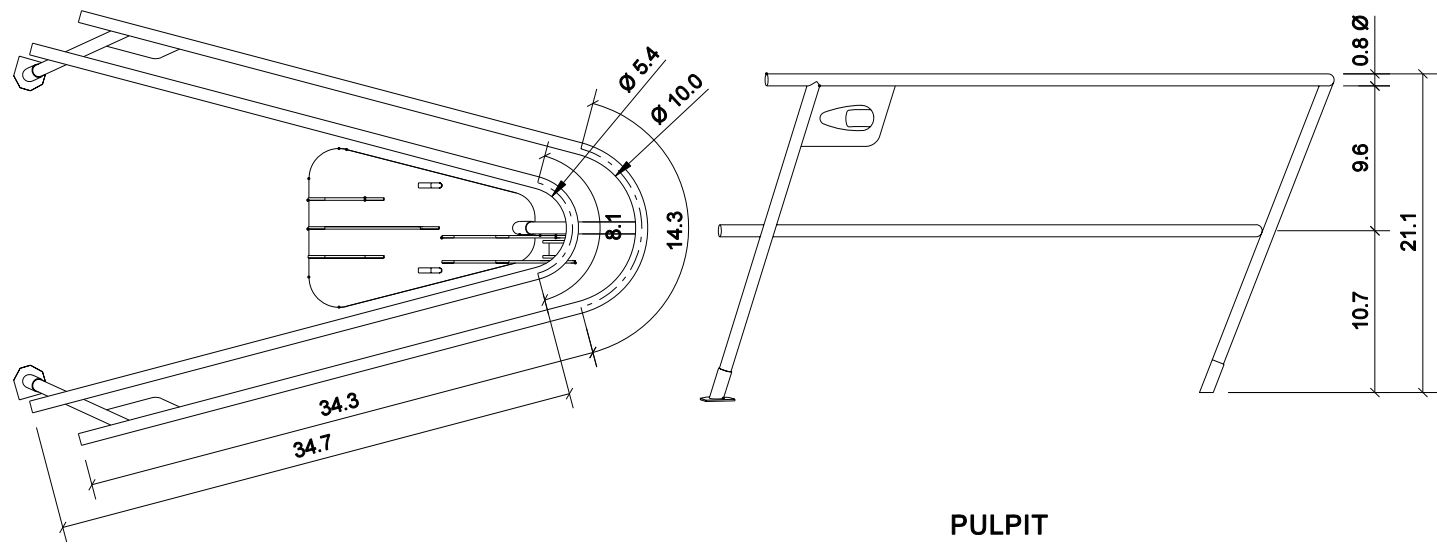
??????  
Scale 10:1



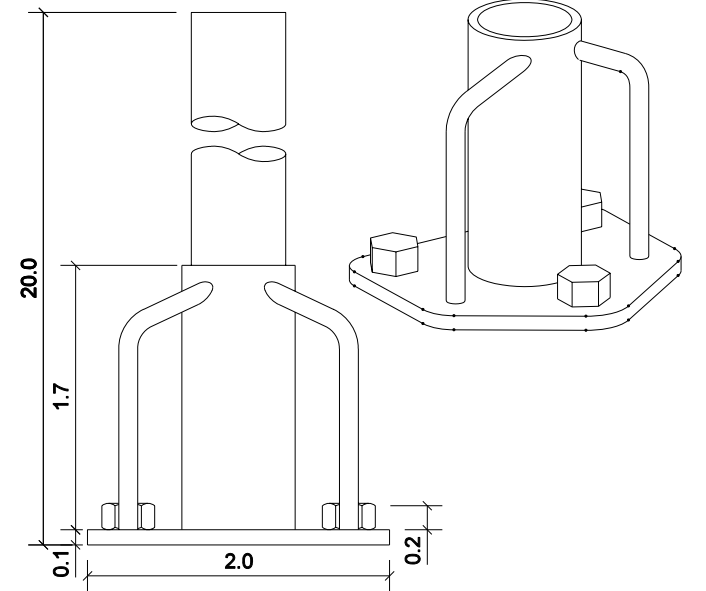
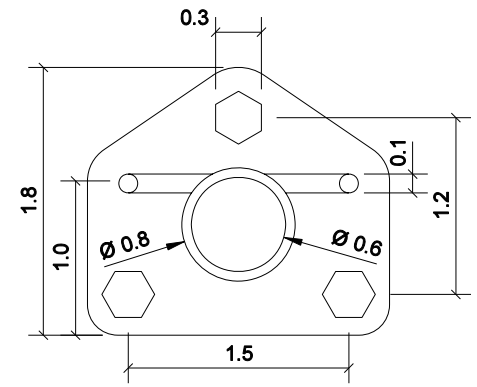
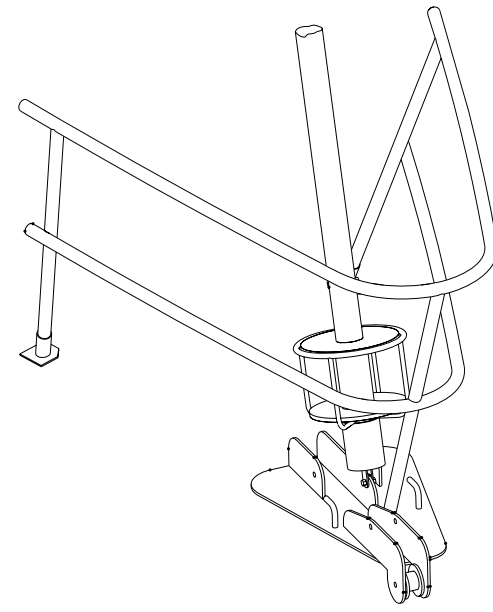
Hinge  
Scale 10:1



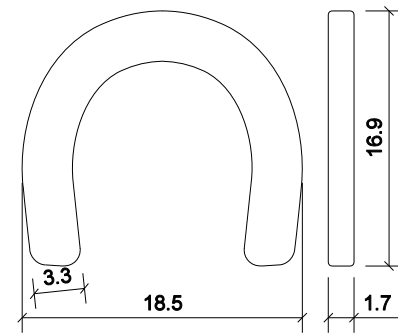
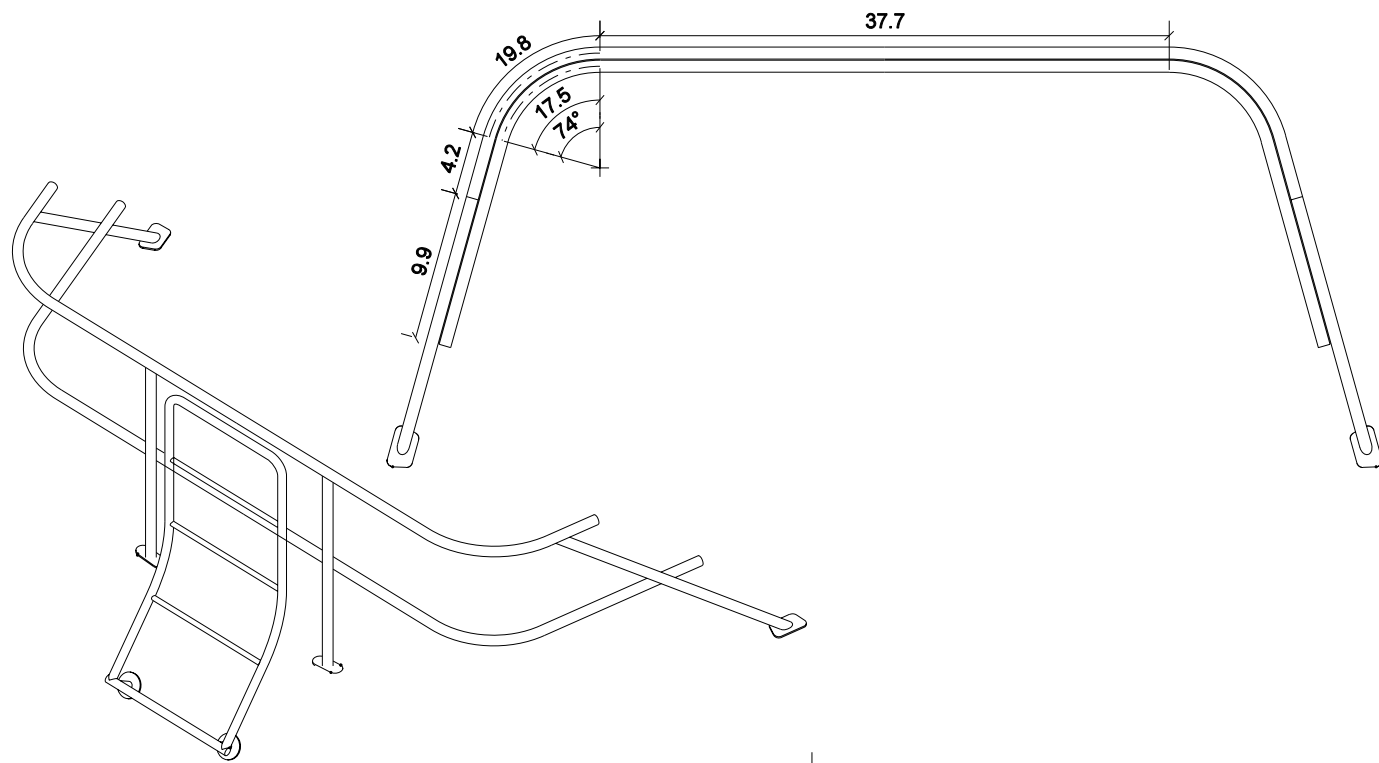
??????  
Scale 10:1



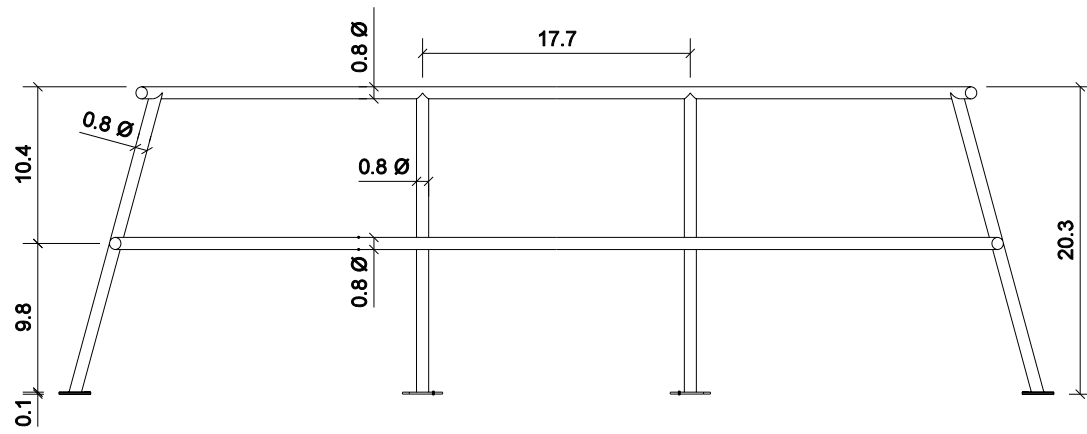
**PULPIT**  
Scale 2:1



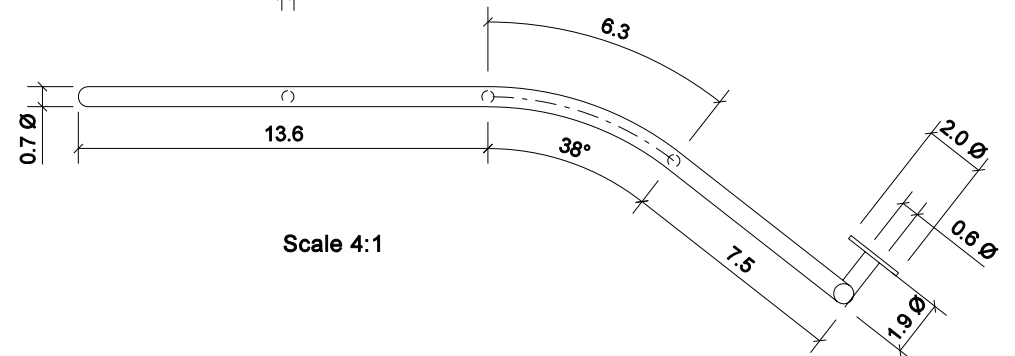
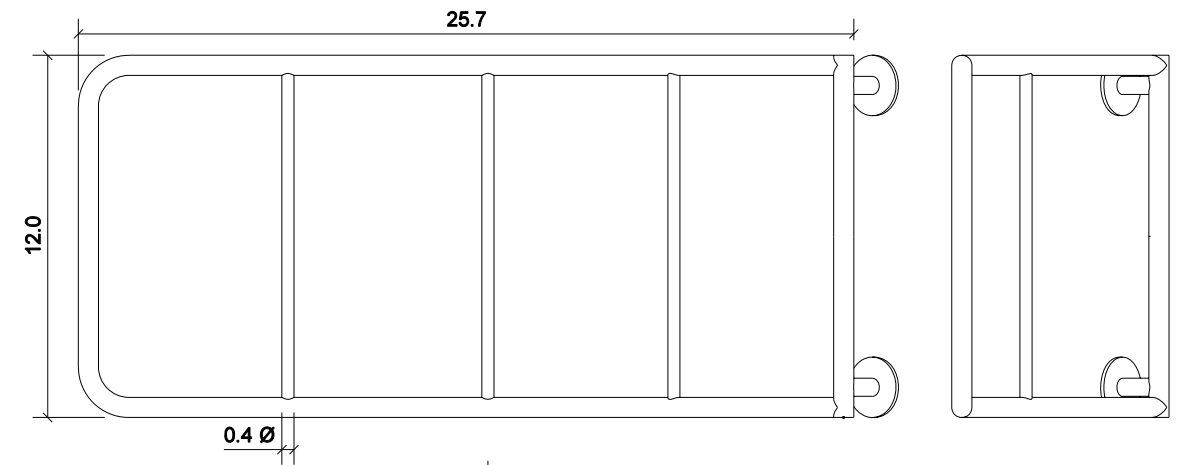
**Stanchion post**



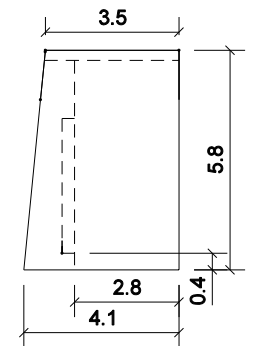
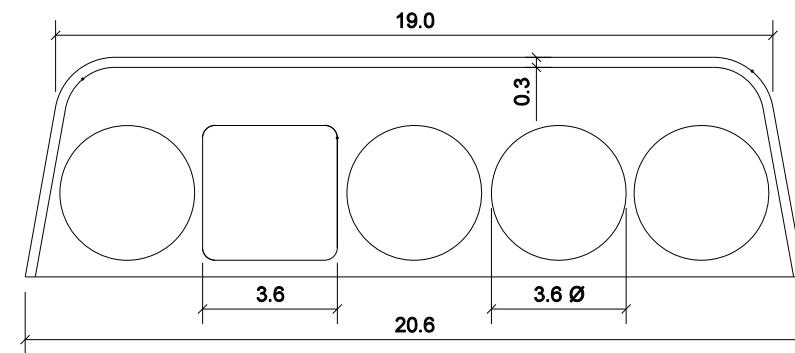
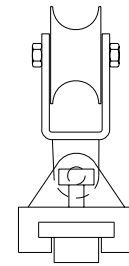
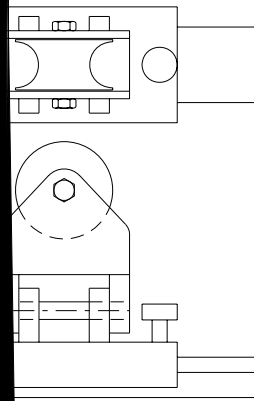
**Scale**

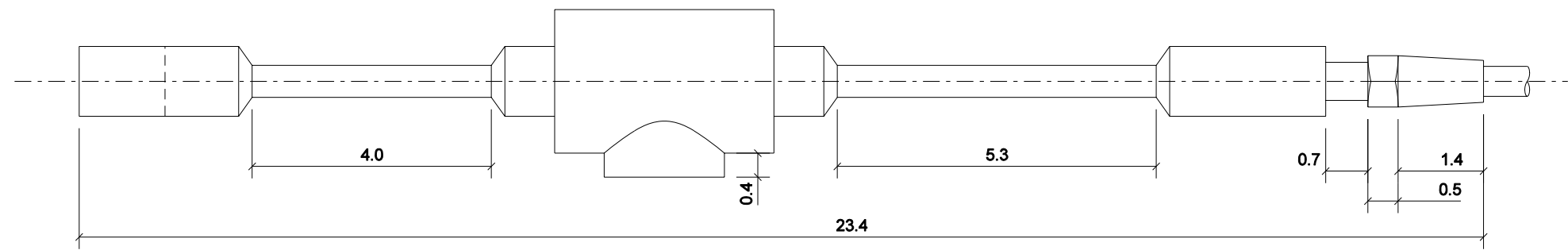
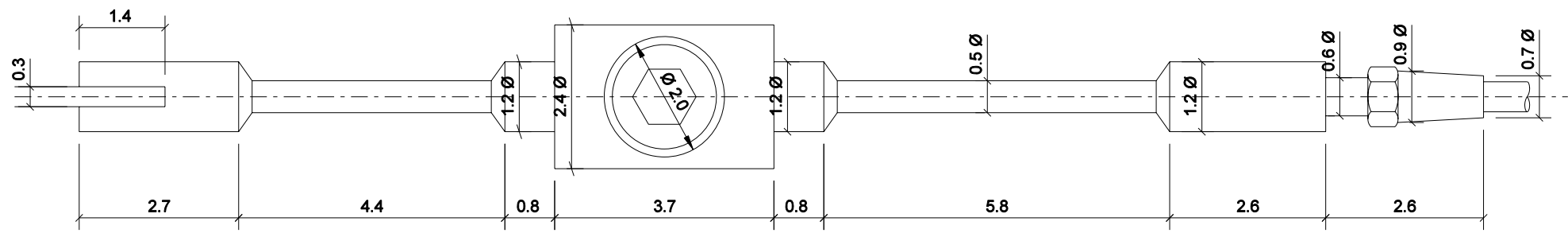
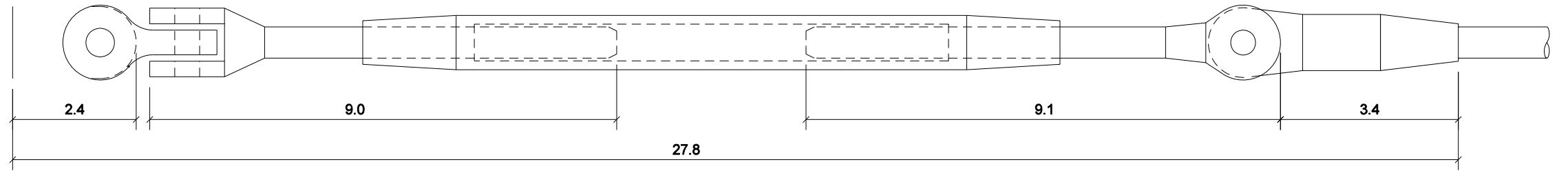
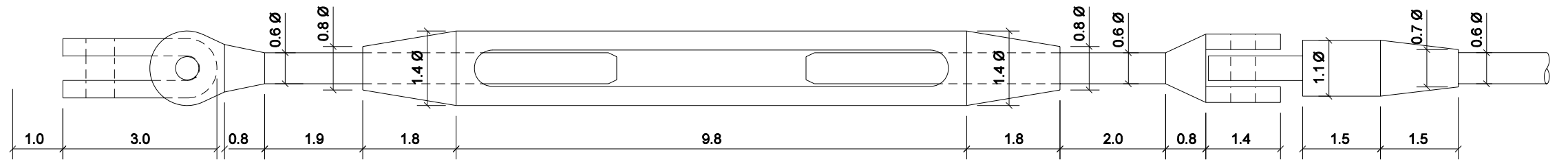


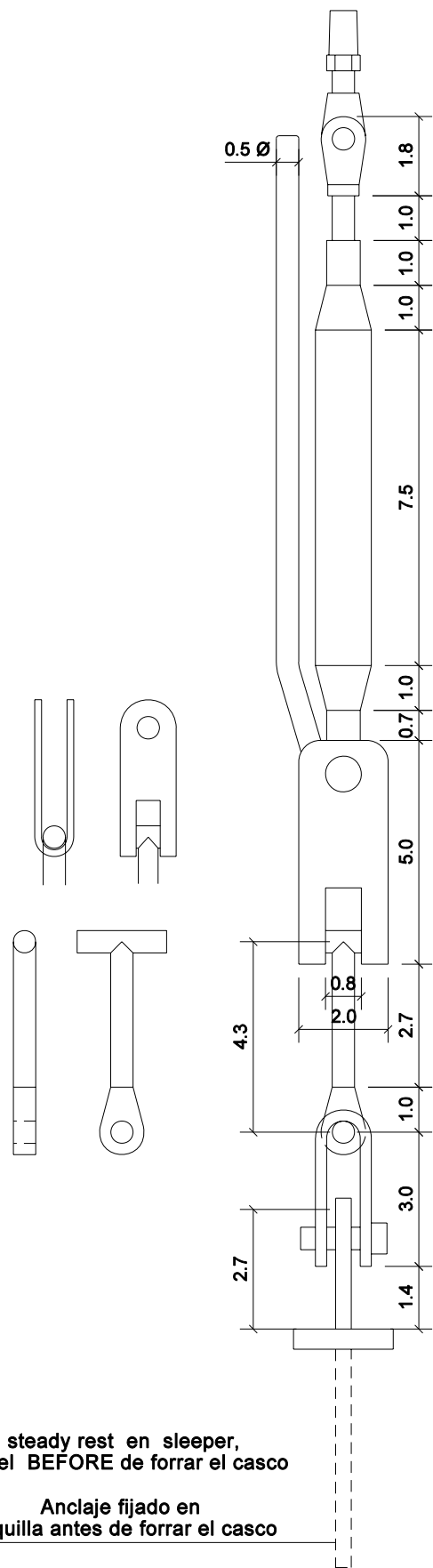
**Scale 2:1**



**Scale 4:1**

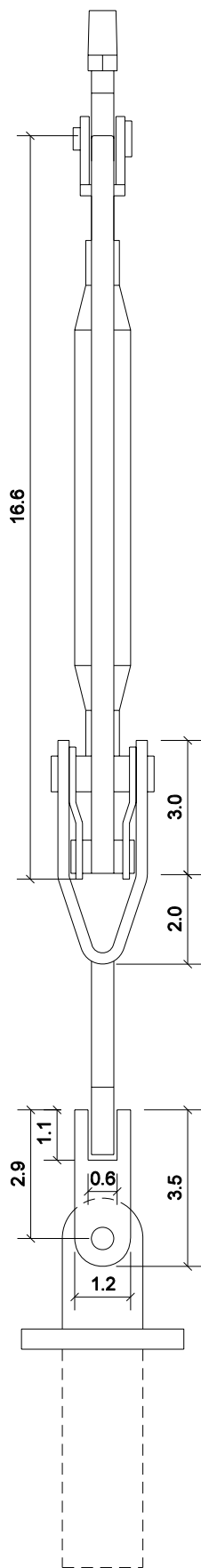




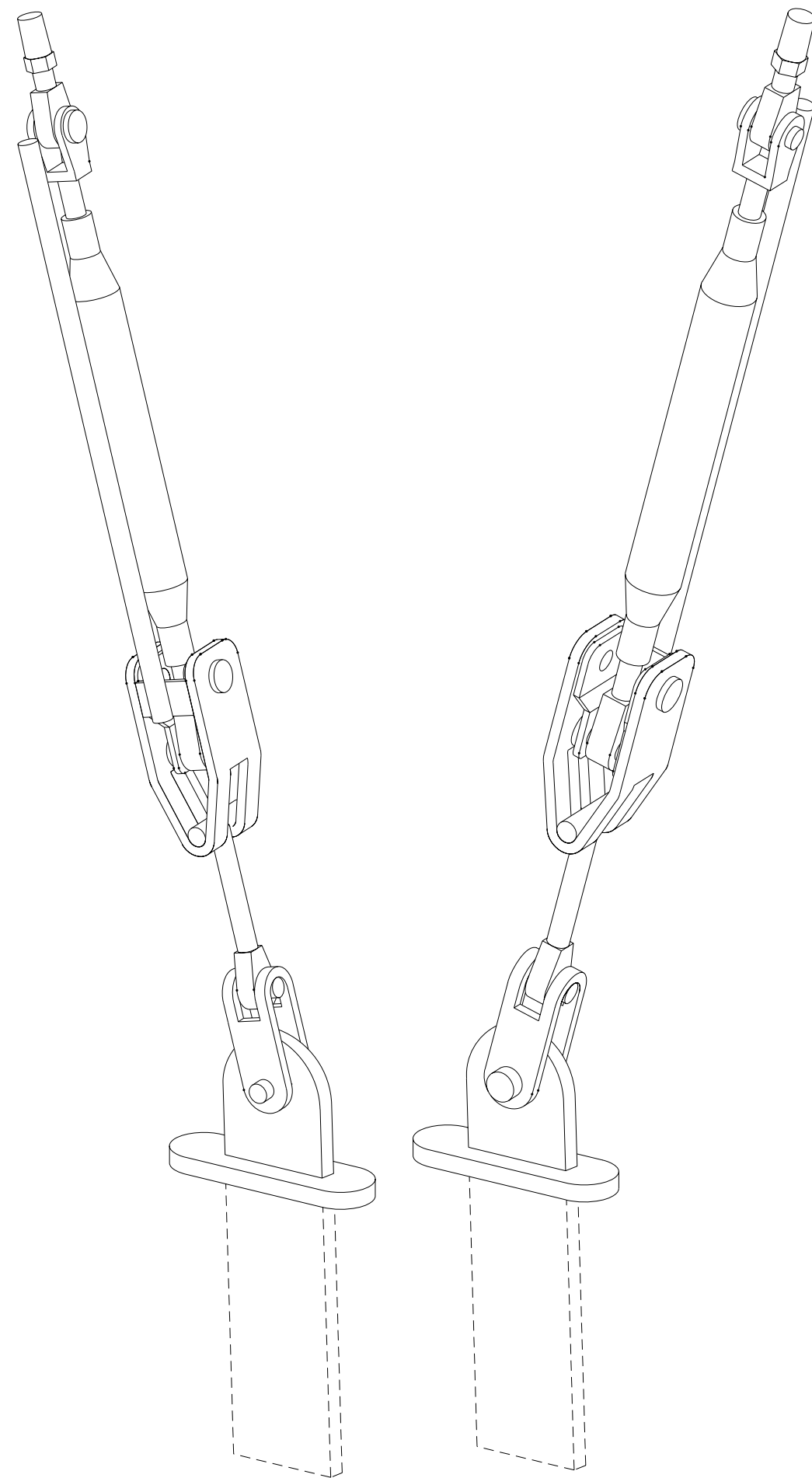
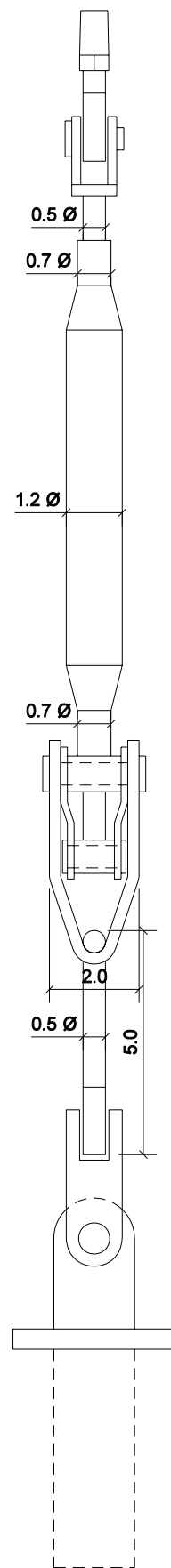


steady rest en sleeper,  
y keel BEFORE de forrar el casco

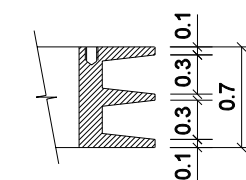
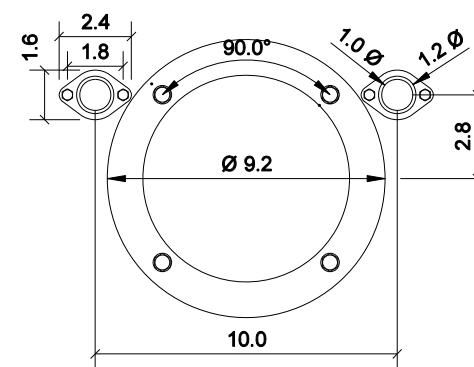
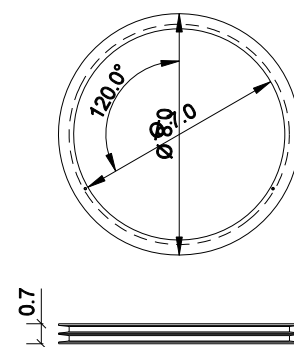
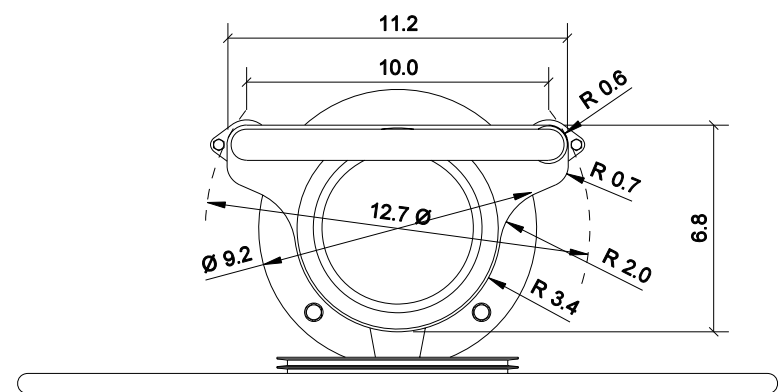
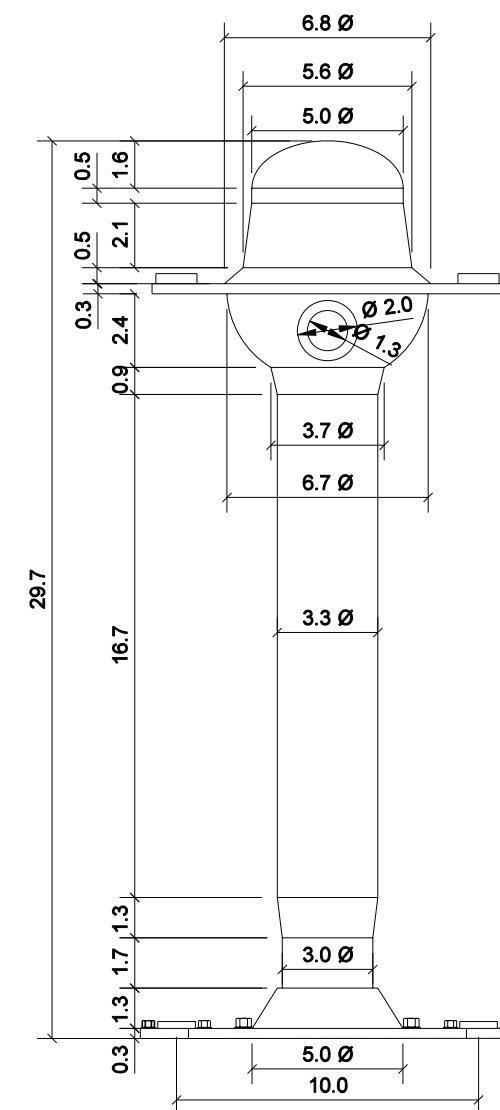
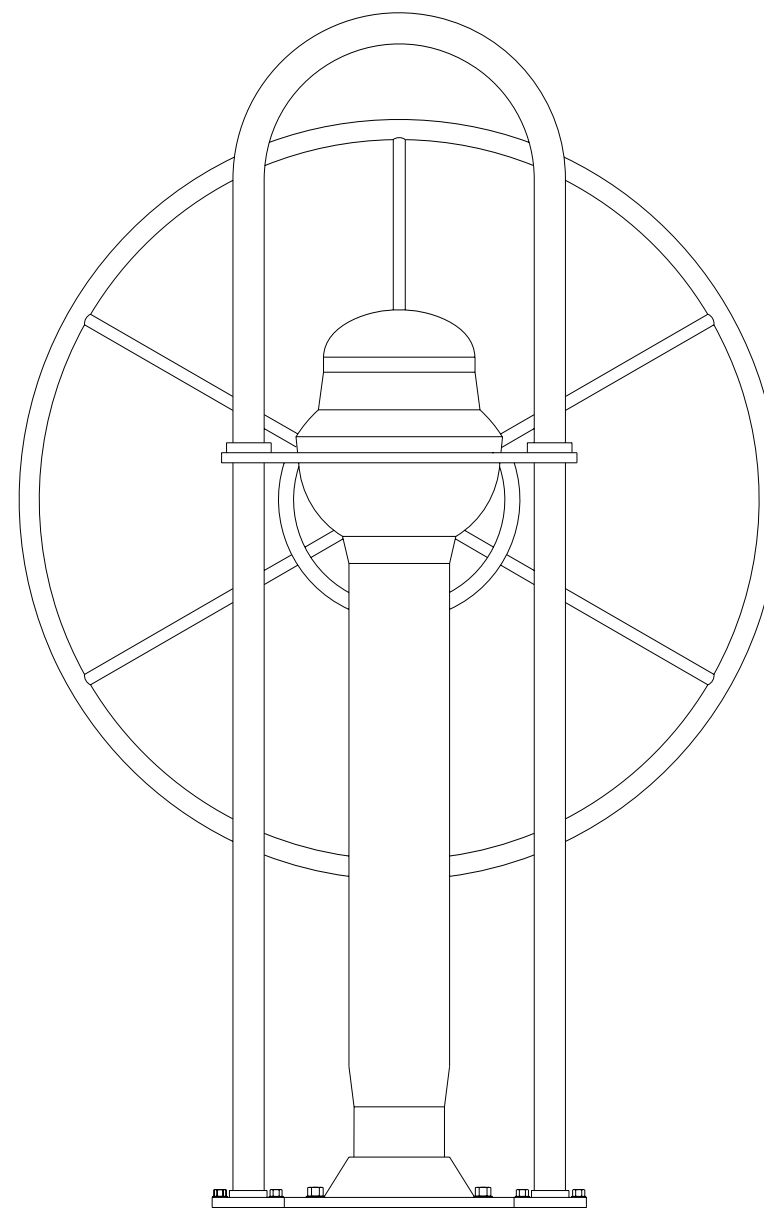
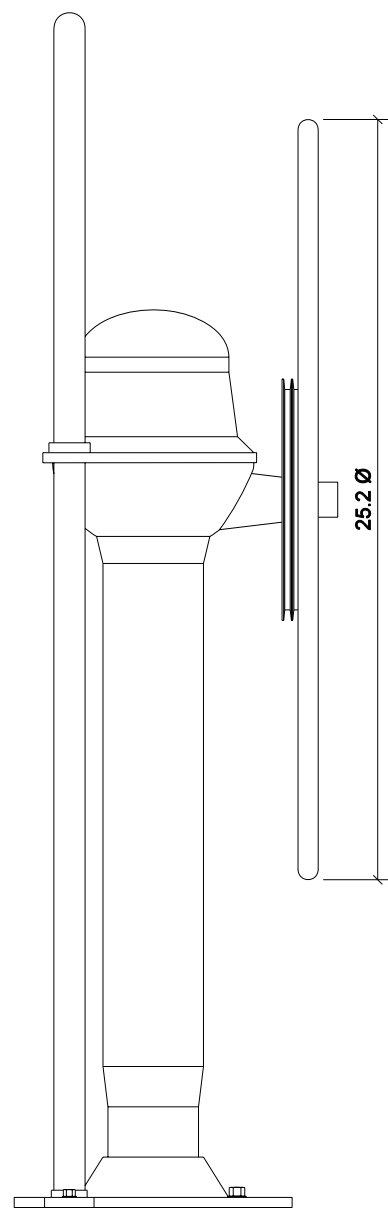
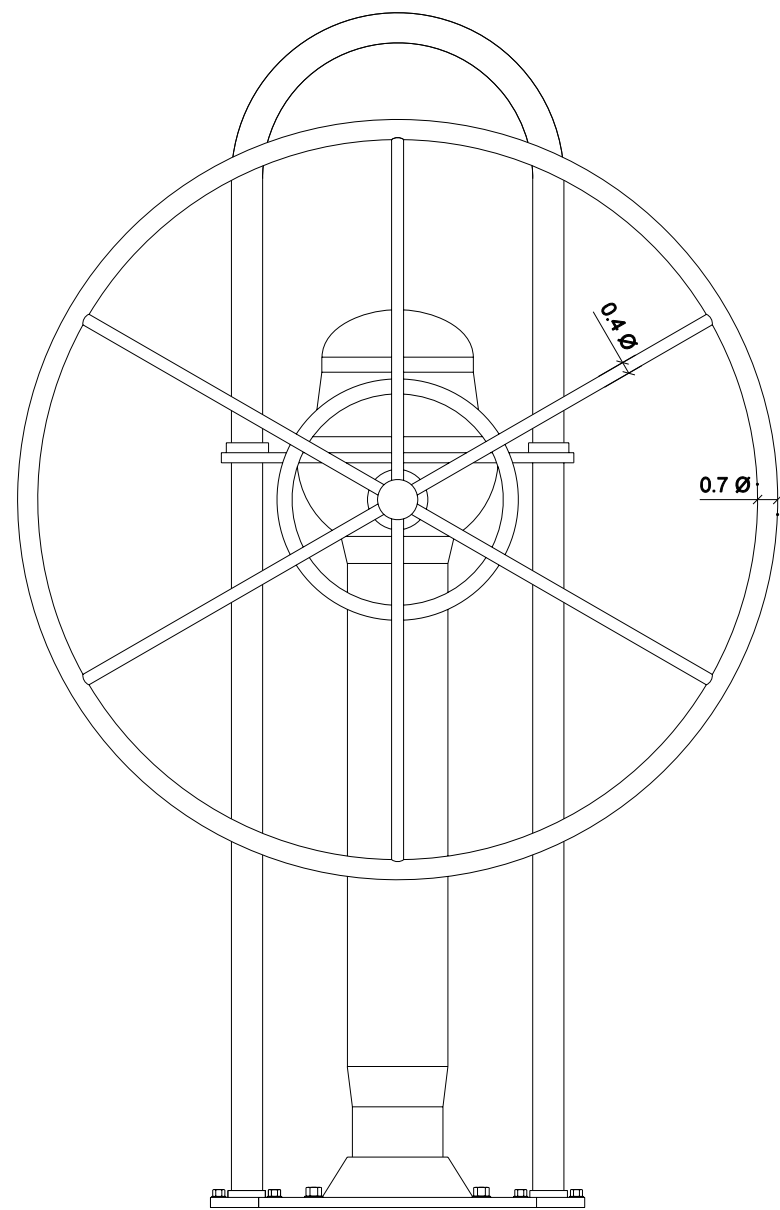
Anclaje fijado en  
la quilla antes de forrar el casco



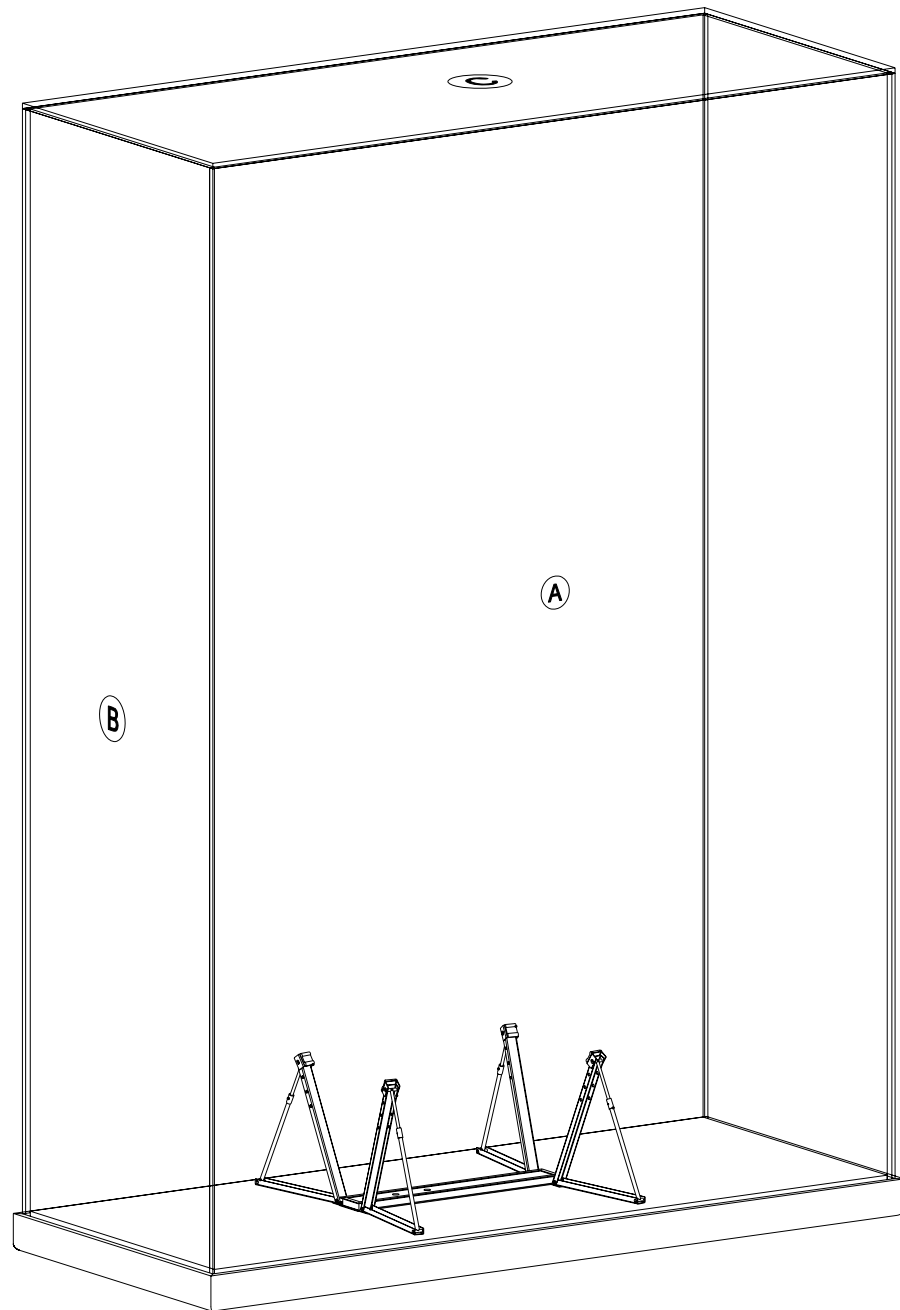
**TURNBUCKLE**  
Scale 10:1



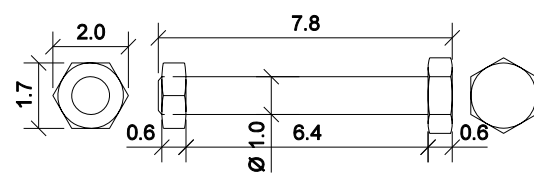




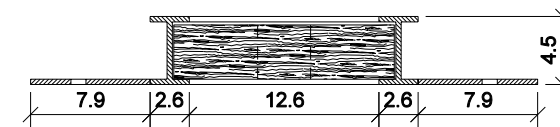
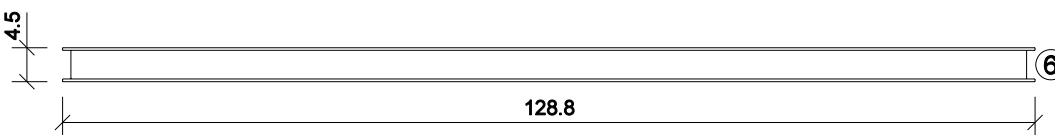
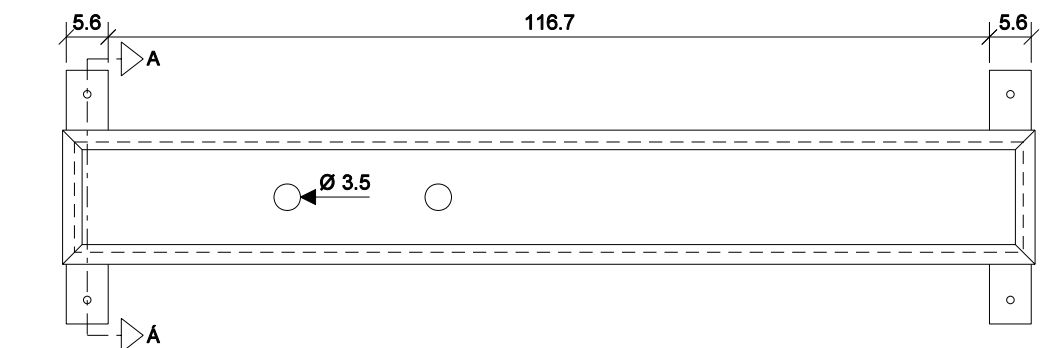
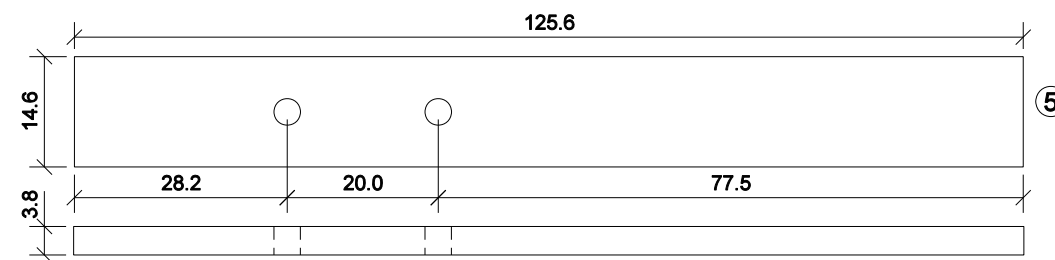
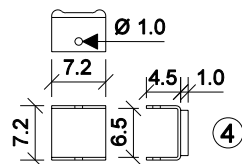
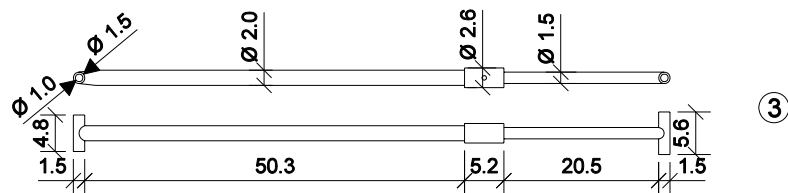
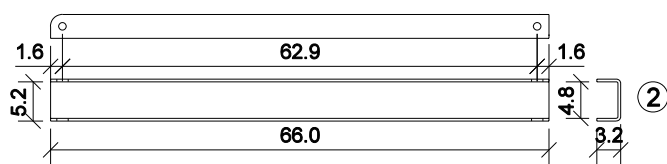
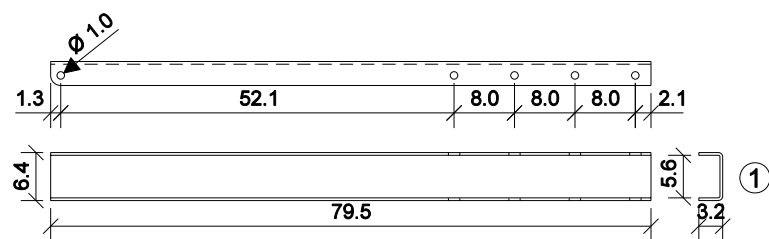
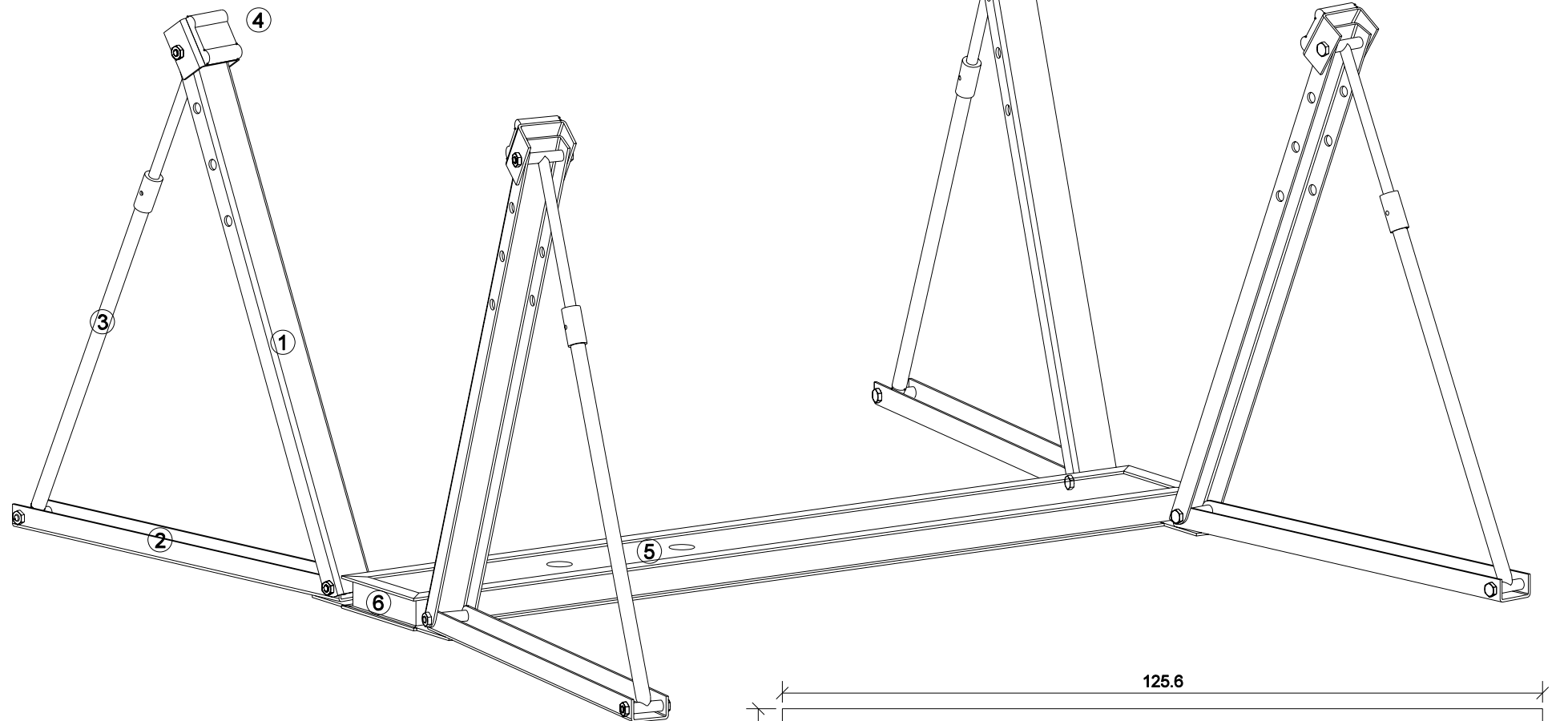
CANALES DE POLEA



- Ⓐ 2 Methacrylate sheet 432 x 620 x 3mm.
- Ⓑ 2 Methacrylate sheet 176 x 620 x 3mm.
- Ⓒ 1 Methacrylate sheet 432 x 182 x 3mm.



SCREW & NUT  
Scale 5:1



SECTION  
Scale 2:1

DESIGN N° 2062-C3

MACHICHACO

29'-7 5/8" LWL ONE TON CUP

LOA 38'7" - LWL 29' 7 5/8" - BEAMMAX 11'3 5/8" - DRAFT 6'6"

SPARKMAN AND STEPHENS INC.

JULY 1971

BUILT BY "ASTILLEROS CARABELA"

BARCELONA 1972

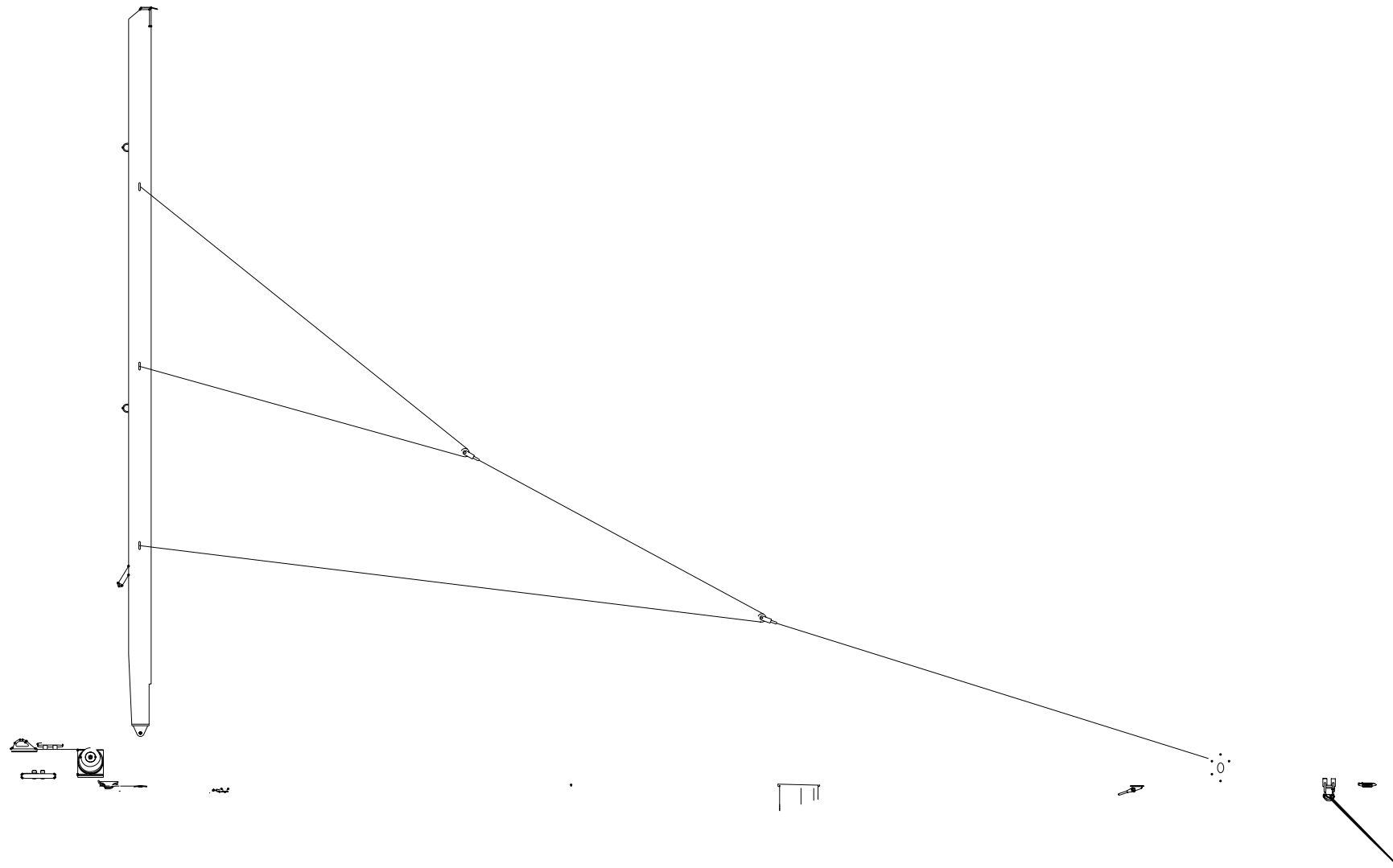
Machichaco naval model to Scale 1/30

Álvaro Robledo

SAILBOAT CRADLE & DISPLAY WINDOW

MARCH 2004

S No.26



DESIGN N°2062-C3	LOA 38'7" - LWL 29' 7 <sup>5</sup> / <sub>8</sub> " - BEAMMAX 11'3 <sup>5</sup> / <sub>8</sub> " - DRAFT 6'6"
<b>MACHICHACO</b>	<b>SPARKMAN AND STEPHENS INC. JULY 1971</b>
29'-7 <sup>5</sup> / <sub>8</sub> " LWL ONE TON CUP	BUILT BY "ASTILLEROS CARABELA" BARCELONA 1972

Machichaco naval model to Scale 1/30	Álvaro Robledo
	MARCH 2004
	S No.27

